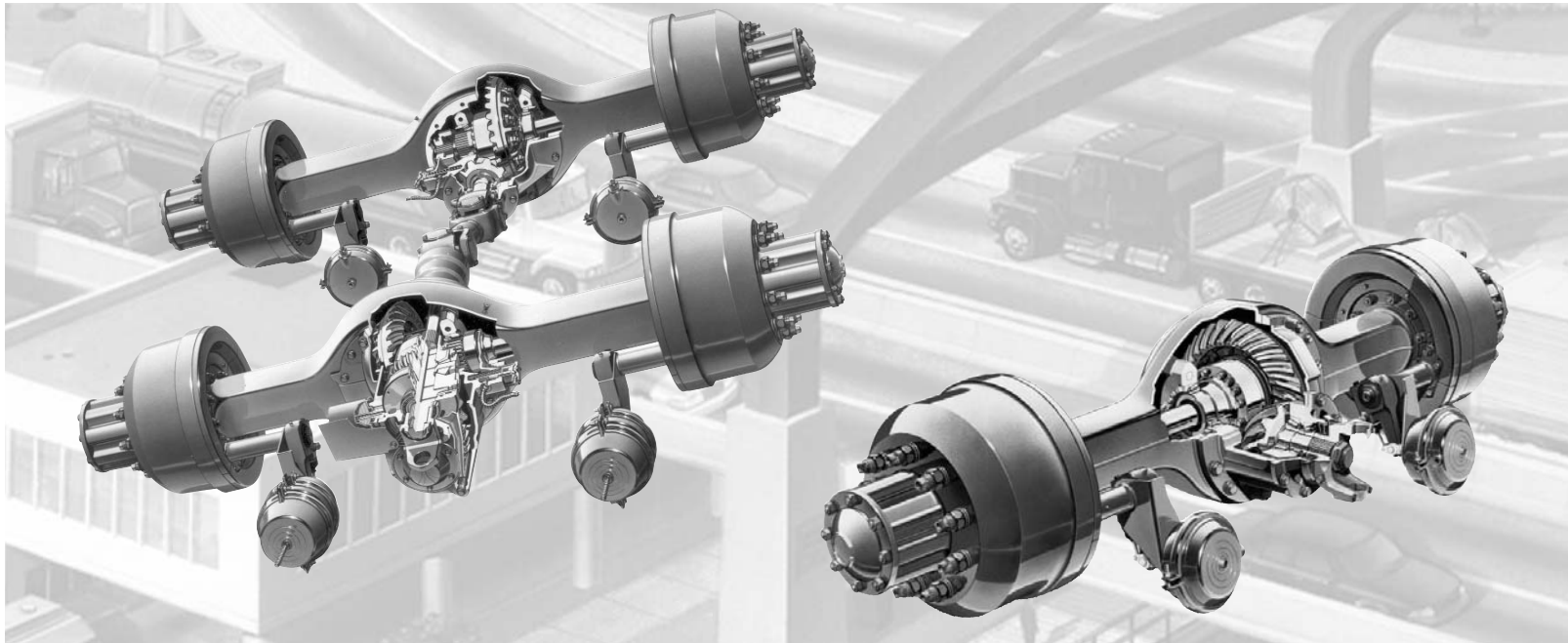


140, 141, 143, and 145 Series Drive Axle Parts

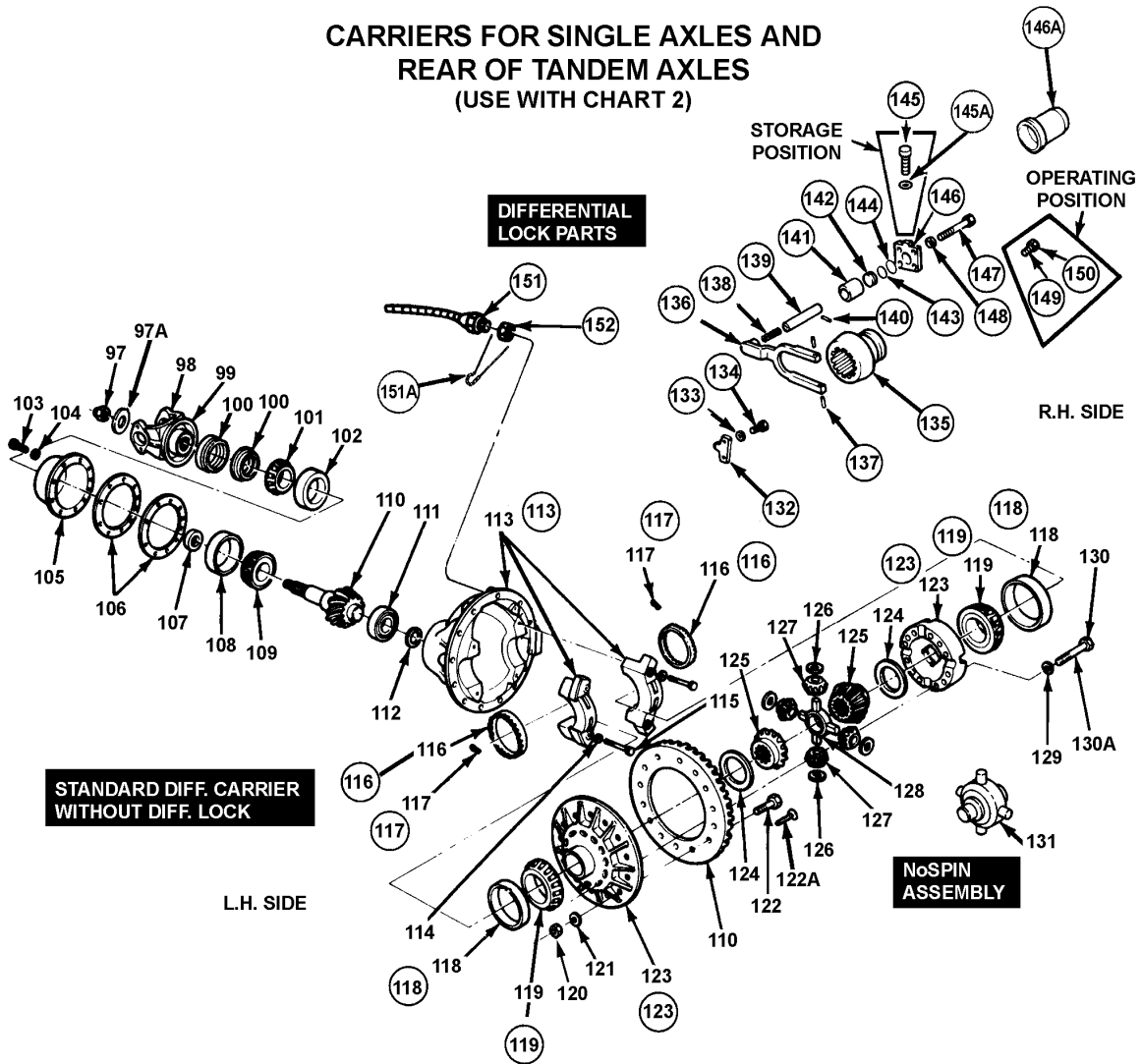
Single Axles and Tandem Axles

Catalog PB-9147

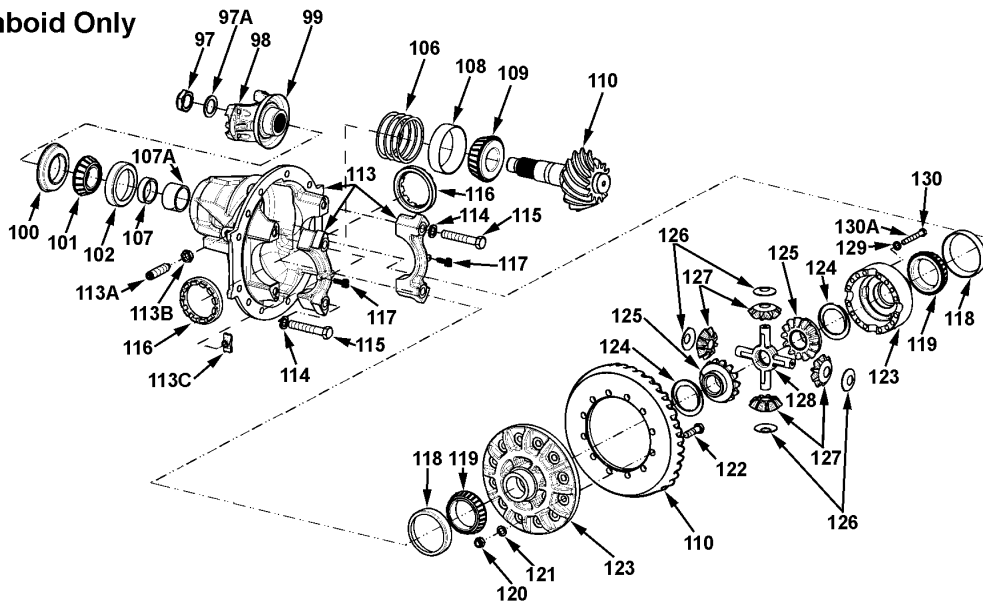


Strength • Power • Speed • Agility

FIGURE 2
CARRIERS FOR SINGLE AXLES AND
REAR OF TANDEM AXLES
 (USE WITH CHART 2)

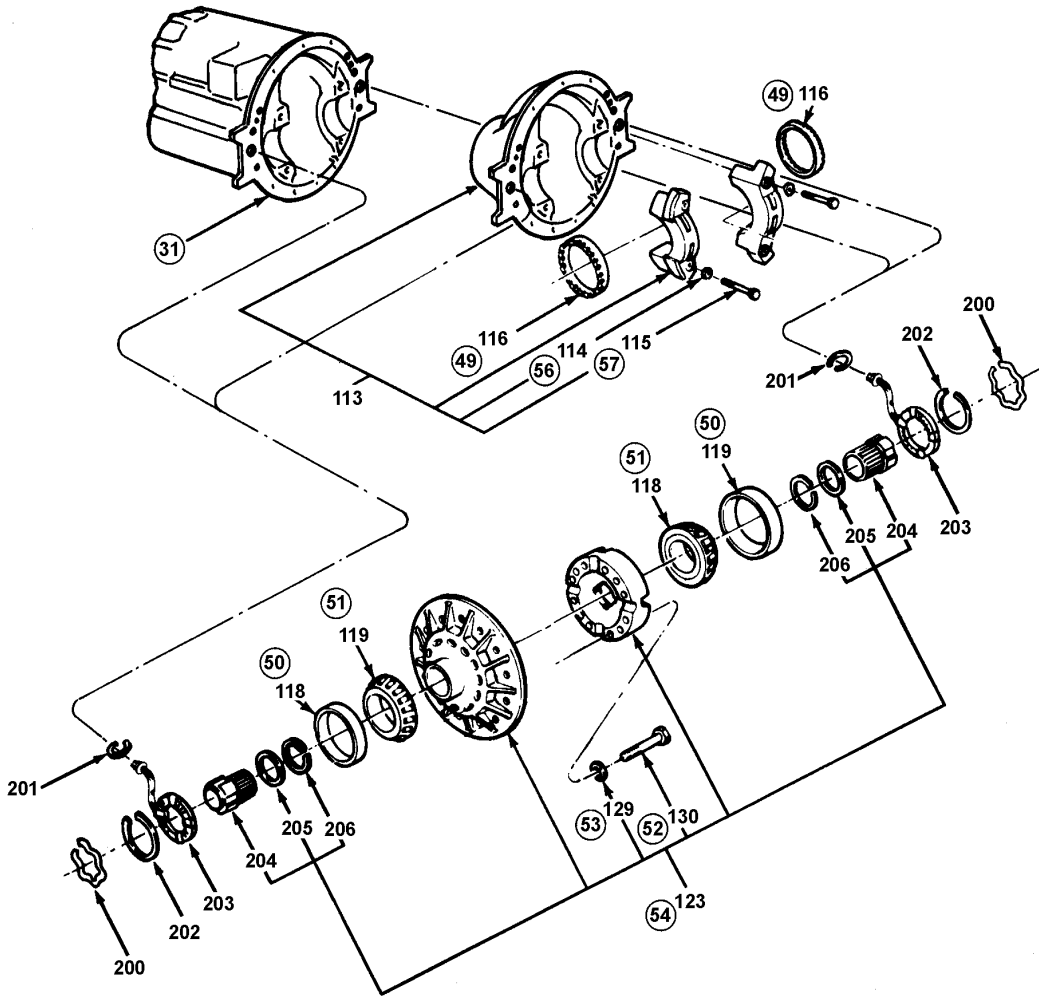


Amboid Only

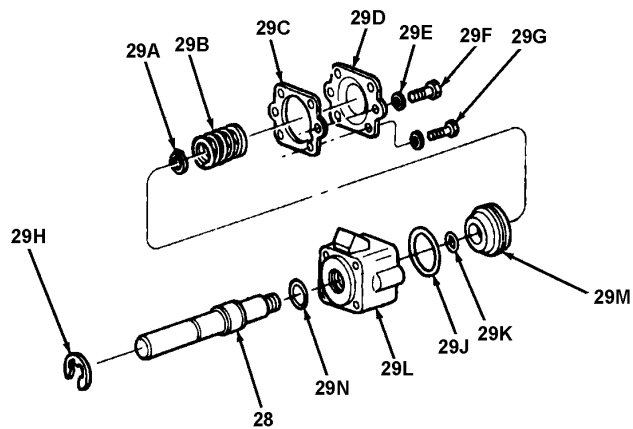



• Circled ○ numbers are diff. lock parts or parts that change when diff. lock is added.

**SUPPLEMENTAL DRAWING
CARRIERS WITH INTERNAL A.B.S.**



EXPLODED VIEW OF REVERSE AIR SHIFT UNIT



• Circled  numbers are diff. lock parts or parts that change when diff. lock is added.

HOW TO USE THIS CATALOG

There are 51 basic carriers covered in this catalog:

| | | | | | |
|-------------|-------------|-------------|-------------|-------------|-------------|
| 3200-R-1500 | 3200-T-1814 | 3200-N-1860 | 3200-M-1885 | 3200-P-1914 | 3200-F-1982 |
| 3200-M-1547 | 3200-U-1815 | 3200-S-1865 | 3200-P-1888 | 3200-R-1916 | 3200-H-1984 |
| 3200-X-1558 | 3200-V-1816 | 3200-Z-1872 | 3200-R-1890 | 3200-S-1917 | 3200-J-1986 |
| 3200-L-1624 | 3200-W-1817 | 3200-A-1873 | 3200-D-1902 | 3200-T-1918 | 3200-K-1987 |
| 3200-G-1645 | 3200-C-1849 | 3200-B-1874 | 3200-E-1903 | 3200-Z-1924 | 3200-L-1988 |
| 3200-X-1662 | 3200-D-1850 | 3200-C-1875 | 3200-F-1904 | 3200-B-1978 | 3200-W-2051 |
| 3200-L-1676 | 3200-E-1851 | 3200-D-1876 | 3200-G-1905 | 3200-C-1979 | |
| 3200-M-1677 | 3200-F-1852 | 3200-E-1877 | 3200-H-1906 | 3200-D-1980 | |
| 3200-Q-1785 | 3200-G-1853 | 3200-G-1879 | 3200-M-1911 | 3200-E-1981 | |

Major assembly differences such as oil pumps, main diff. locks, etc. are indicated by the different assembly level numbers as well as the base carrier part number. The Axle Models-Carriers-Features Chart inside this front cover lists all the variations of the carriers covered in this book.

Note: The carriers listed in this catalog do **not** include yokes. A yoke is a major assembly difference, so a carrier sold with a yoke has a different assembly level number than the same carrier without the yoke.

The charts for carriers, output shafts, and axle housings include the following information:

- An exploded view of each assembly, keyed to the parts list.
- A description of each part.
- Parts that are sold as assemblies that include other parts.
- Which carriers or axle models the part is used on.
- The quantity of the part used on the carrier or axle.
- The part number of each part.
- Whether the part is available in a kit.

Carrier Parts: Determine which Chart and Figure (1 or 2) applies to your carrier by using the following sources of information:

- Identification tag installed on the carrier.
- Axle Models-Carrier-Features Chart.
- Pictures and descriptions of the carriers inside the front cover and at the beginning of Chart 1 and Chart 2.

Output (Thru) Shafts: This chart covers the output shafts for the forward axles of all tandems. Note that the output shaft assembly or its components are only sold as separate items. The output shaft is **not** included with the purchase of a carrier or housing.

Housing Assemblies and Wheel End Parts: This chart covers the housing assemblies and wheel end parts for all axles. The parts are listed according to axle models and the two wheel end series (L Series or R Series) that are used on 140, 141 and 145 series axles.

Axle Shafts: The axle shafts are grouped in sets (L.H. and R.H.) according to the axle models they are used on. Many axle shaft sets are used on more than one axle model. The axle shafts are also listed by part number with dimensions.

Yokes and Flanges: There are four charts that cover full round bearing yokes, wing bearing yokes, Easy Service yokes, and flanges. Each chart lists the yokes or flanges used on each axle model. The yokes and flanges are listed by dimension.

Kits: The first chart lists all the kits available for each axle model and carrier. Following that chart, the kits are listed in numerical order, and the contents of each kit is listed.

Numerical Parts Index: This lists every part number in the catalog along with the page(s) on which the part is listed.

STANDARD CARRIER SUPERCESSION LIST

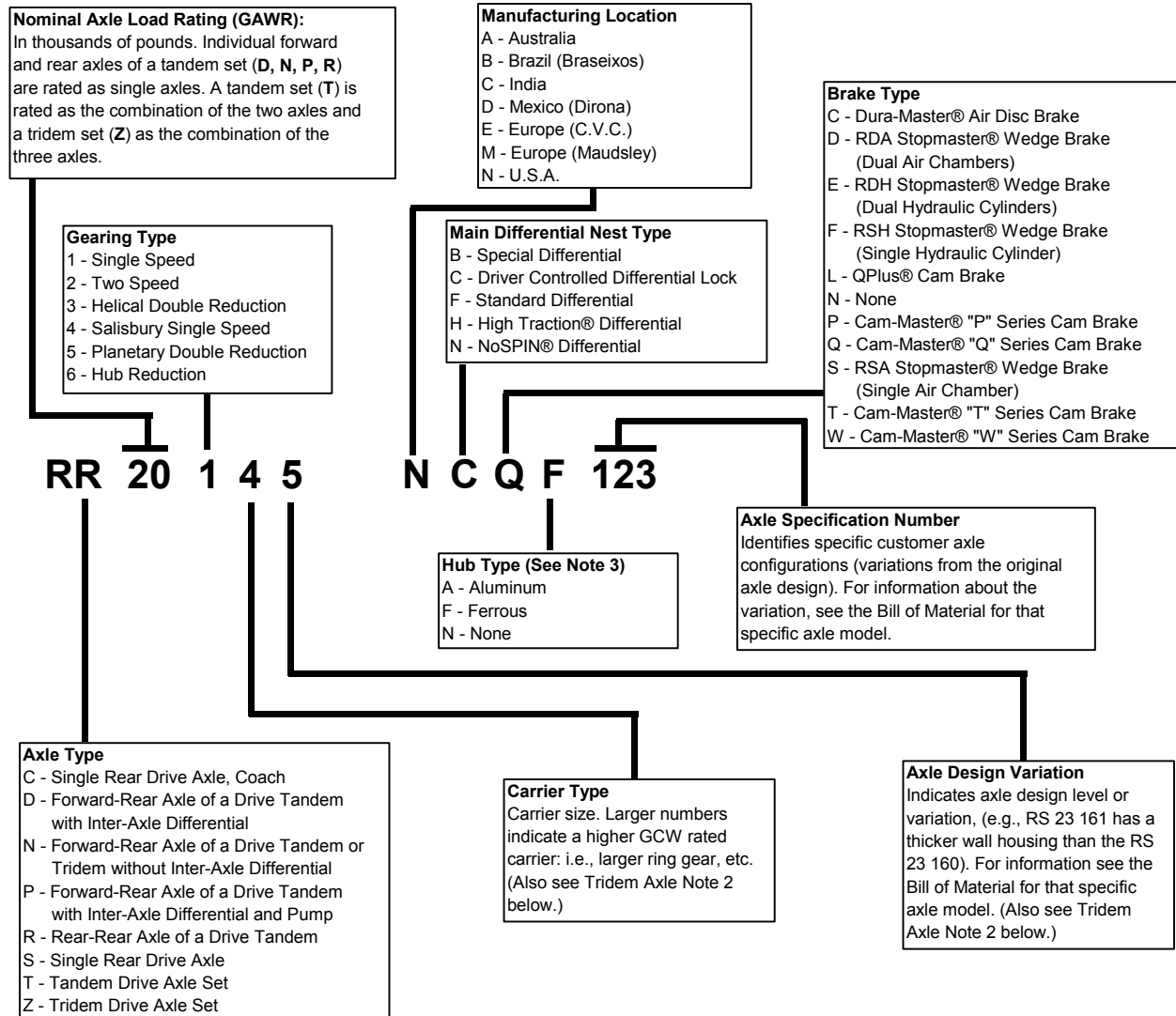
| ORIGINAL PART NUMBER | REPLACEMENT PART NUMBER |
|-------------------------|----------------------------|
| A1-3200-X-1558 | B1-3200-G-1879 |
| A18-3200-L-1624 | A1-3200-K-1987 |
| A35-3200-L-1624 | B1-3200-D-1902 |
| A4-3200-G-1645 | A1-3200-B-1978 |
| A6-3200-G-1645 | A6-3200-B-1978 |
| A9-3200-G-1645 | B1-3200-G-1645 |
| A11-3200-G-1645 | A4-3200-B-1978 |
| A13-3200-G-1645 | A8-3200-B-1978 |
| A21-3200-G-1645 | B4-3200-G-1645 |
| A27-3200-G-1645 | B1-3200-G-1645 |
| A1-3200-X-1662 | A1-3200-H-1984 |
| A4-3200-X-1662 | B1-3200-X-1662 |
| A6-3200-X-1662 | A4-3200-H-1984 |
| A7-3200-L-1676 | B2-3200-L-1676 |
| A8-3200-L-1676 | B4-3200-L-1676 |
| A9-3200-L-1676 | B7-3200-L-1676 |
| A13-3200-L-1676 | B11-3200-L-1676 |
| A14-3200-L-1676 | B8-3200-L-1676 |
| A15-3200-L-1676 | B9-3200-L-1676 |
| A1-3200-M-1677 | A1-3200-E-1981 |
| A8-3200-Q-1785 | B4-3200-S-1865 |
| A9-3200-Q-1785 | B7-3200-S-1865 |
| A14-3200-Q-1785 | B8-3200-S-1865 |
| A15-3200-Q-1785 | B9-3200-S-1865 |
| A40-3200-Q-1785 | B7-3200-S-1865 |
| A42-3200-Q-1785 | B4-3200-S-1865 |
| A1-3200-T-1814 | A1-3200-B-1978 |
| A6-3200-T-1814 | A6-3200-B-1978 |
| A8-3200-T-1814 | A8-3200-B-1978 |

| ORIGINAL PART NUMBER | REPLACEMENT PART NUMBER |
|-------------------------|----------------------------|
| A10-3200-T-1814 | A6-3200-B-1978 |
| A12-3200-T-1814 | A1-3200-B-1978 |
| B1-3200-T-1814 | A1-3200-B-1978 |
| B4-3200-T-1814 | A4-3200-B-1978 |
| B6-3200-T-1814 | A6-3200-B-1978 |
| B8-3200-T-1814 | A8-3200-B-1978 |
| A1-3200-U-1815 | A1-3200-E-1981 |
| A1-3200-V-1816 | A1-3200-H-1984 |
| A4-3200-V-1816 | A4-3200-H-1984 |
| B1-3200-V-1816 | A1-3200-H-1984 |
| B4-3200-V-1816 | A4-3200-H-1984 |
| B6-3200-V-1816 | A6-3200-H-1984 |
| B8-3200-V-1816 | A8-3200-H-1984 |
| A1-3200-W-1817 | A1-3200-K-1987 |
| B1-3200-N-1860 | A1-3200-C-1979 |
| A8-3200-S-1865 | B4-3200-S-1865 |
| A9-3200-S-1865 | B7-3200-S-1865 |
| A40-3200-S-1865 | B7-3200-S-1865 |
| B1-3200-B-1874 | A1-3200-D-1980 |
| A1-3200-C-1875 | A1-3200-F-1982 |
| B1-3200-D-1876 | A1-3200-J-1986 |
| A1-3200-E-1877 | A1-3200-L-1988 |
| B1-3200-P-1888 | A1-3200-K-1987 |
| B1-3200-R-1890 | A1-3200-E-1981 |
| B1-3200-G-1905 | A1-3200-F-1982 |
| B1-3200-H-1906 | A1-3200-L-1988 |
| A1-3200-M-1911 | B1-3200-T-1918 |
| A1-3200-P-1914 | B1-3200-P-1914 |

The part number supercessions listed here reflect product improvements made in several key areas. Several of these product improvements are non-interchangeable at the component level. In these cases, kits have been developed to ease your transition to the new designs.

Rear Drive Axles

Model Numbers and Designations - OLD STYLE



NOTE 1:

If a complete axle designation is not required, use the first seven positions of the model designation to identify the basic axle model.

EXAMPLES OF BASIC AXLE MODELS:

RS 17 140 - Single Rear Drive, 17,000 lb., Single Speed, 15" Ring Gear, 140 Carrier Model.

RT 48 380 - Tandem Drive Axle Set, 48,000 lb., Helical Double Reduction, 19.62" Ring Gear, 380 Carrier Model.

RZ 60 164 - Tridem Drive Axle Set, 60,000 lb., Single Speed, Includes a 150 Series Forward Rear or First Axle and a 145 Series Tandem Axle Set as the Second and Third Axles.

NOTE 2, FOR TRIDEM AXLES ONLY:

For a Tridem Drive Axle Set (**RZ**), the number in the sixth position designates the carrier in the first axle. The number in the seventh position designates the carriers in the second and third axles.

NOTE 3:

Some axle designations or specifications do not have a hub type code.

Rear Drive Axles

Model Numbers and Designations - NEW STYLE

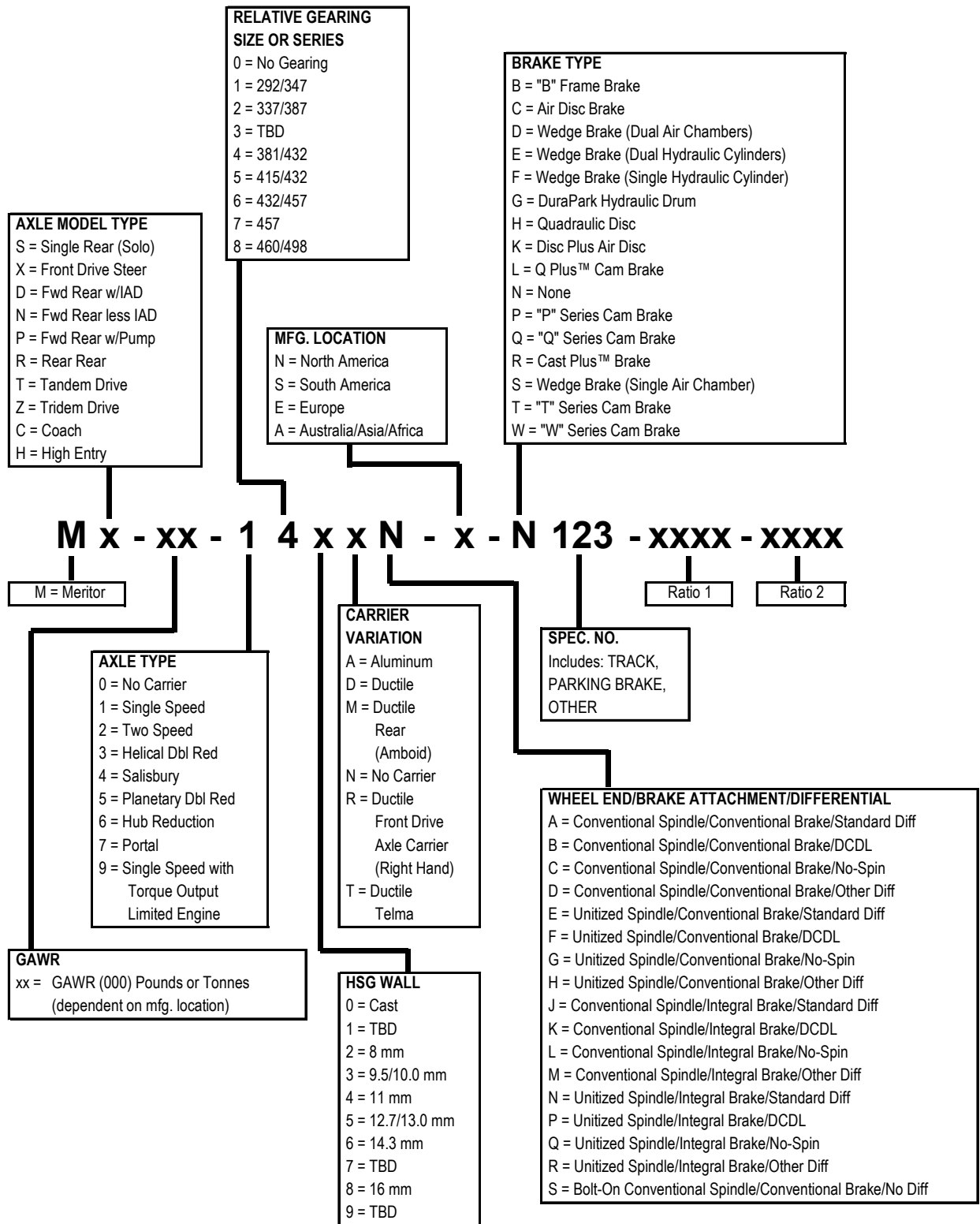


TABLE OF CONTENTS

| | PAGE |
|---|-----------|
| Forward Carriers of Tandem Axles..... | 3 |
| Carriers for Single Axles and Rears of Tandem Axles..... | 10 |
| Output (Thru) Shafts..... | 19 |
| Housing Assemblies and Wheel End Parts..... | 20 |
| Axle Shafts..... | 21 |
| Yokes and Flanges | |
| Full Round Bearing Yokes..... | 24 |
| Wing Bearing Yokes..... | 25 |
| Easy Service Yokes..... | 26 |
| RPL Yokes..... | 27 |
| Companion Flanges..... | 28 |
| Axle Model to Carrier to Kit Cross Reference..... | 29 |
| Kits..... | 35 |
| Numerical Parts Index..... | 49 |

CHART 1

FORWARD CARRIERS OF TANDEM AXLES

(Use with Figure 1, Inside Front Cover)

VISUAL IDENTIFICATION OF FORWARD CARRIERS

IAD SHIFTER:
BOLT ON FOR 1624, 1902, 1911, 1918
SCREW-IN FOR 1817, 1877, 1888,
1906, 1987 AND 1988 CARRIERS

OIL FILTER

DIFF. LOCK:
BOLT-ON FOR 1624 AND 1817 CARRIERS
SCREW-IN FOR 1877, 1888, 1902, 1906,
1911, 1918, 1987 AND 1988 CARRIERS

FORWARD CARRIERS WITH IAD, DIFF. LOCK
AND OIL PUMP: 3200-L-1624, 3200-W-1817,
3200-E-1877, 3200-P-1888, 3200-D-1902,
3200-H-1906, 3200-M-1911, 3200-T-1918,
3200-K-1987, 3200-L-1988

IAD SHIFTER:
BOLT ON FOR 1677 AND 1903
SCREW-IN FOR 1815, 1875, 1890,
1905, 1981 AND 1982 CARRIERS

NO OIL FILTER

DIFF. LOCK:
BOLT-ON FOR 1677 AND 1815 CARRIERS
SCREW-IN FOR 1875, 1890, 1903, 1905,
1981 AND 1982 CARRIERS

FORWARD CARRIERS WITH IAD AND
DIFF. LOCK WITHOUT OIL PUMP
3200-M-1677, 3200-U-1815, 3200-C-1875,
3200-R-1890, 3200-E-1903, 3200-G-1905,
3200-E-1981, 3200-F-1982

IAD SHIFTER:
BOLT-ON FOR 1662 AND 1914
SCREW-IN FOR 1816, 1853, 1876,
1894 AND 1986 CARRIERS

OIL FILTER

NO DIFF. LOCK

FORWARD CARRIERS WITH IAD AND OIL PUMP
WITHOUT DIFF. LOCK: 3200-X-1662,
3200-V-1816, 3200-G-1853, 3200-D-1876,
3200-P-1914, 3200-H-1984, 3200-J-1986

IAD SHIFTER:
BOLT ON FOR 1645 CARRIER
SCREW-IN FOR 1814, 1852, 1860,
1874, 1917, 1978, 1979 AND 1980

NO OIL FILTER

NO DIFF. LOCK

FORWARD CARRIERS WITH IAD WITHOUT DIFF.
LOCK OR OIL PUMP: 3200-G-1645, 3200-T-1814,
3200-F-1852, 3200-N-1860, 3200-B-1874, 3200-S-1917,
3200-B-1978, 3200-C-1979, 3200-D-1980

THE FOLLOWING CARRIERS ARE EQUIPPED WITH A THRUST SCREW:
3200-A-1873, 3200-B-1874, 3200-C-1875, 3200-D-1876, 3200-E-1877, 3200-F-1904, 3200-G-1905,
3200-H-1906, 3200-M-1911, 3200-T-1918, 3200-P-1914, 3200-D-1980, 3200-F-1982, 3200-J-1986, 3200-L-1988

THE FOLLOWING CARRIERS ARE MACHINED FOR INTERNAL ABS SENSORS:
3200-F-1852, 3200-G-1853, 3200-S-1917

CURRENT AXLE MODELS - CARRIERS - FEATURES

| AXLE MODELS | | | CARRIERS | MAIN DIFF. LOCK | NO SPIN ® DIFF. | OIL PUMP | A.B.S. | AXLE SPLINE | RATIOS AVAIL. | STD. IAD SHIFT (UNLESS NOTED) | | | | |
|-------------------------|----------------|----------------|------------------|------------------|-----------------|----------------|------------|----------------|----------------|-------------------------------|------------|----------------|--|---------|
| RS-16-140 | | | A23-3200-M-1547 | | | | | 1.85" - 36 | 3.42 thru 7.17 | | | | | |
| RS-17-140 (SINGLE AXLE) | | | B2-3200-L-1676 | | | | 2.00" - 39 | | | | | | | |
| | | | B11-3200-L-1676 | | • | | | | | | | | | |
| RS-16-141 (SINGLE AXLE) | | | B7-3200-S-1865 | | | | | | | | | | | |
| RS-17-141 (SINGLE AXLE) | | | B7-3200-S-1865 | | | | | | | | | | | |
| RS-17-145 | | | B7-3200-L-1676 | | | | | 2.79 thru 3.21 | | | | | | |
| RS-19-145 (SINGLE AXLE) | | | B7-3200-S-1865 | | | | | 3.42 thru 7.17 | | | | | | |
| | | | B9-3200-L-1676 | | • | | | 2.79 thru 3.21 | | | | | | |
| | | | B9-3200-S-1865 | | • | | | 3.42 thru 7.17 | | | | | | |
| RS-21-145 (SINGLE AXLE) | | | B4-3200-L-1676 | | | | 2.10" - 41 | 2.64 thru 3.21 | | | | | | |
| | | | B4-3200-S-1865 | | | | | 3.42 thru 7.17 | | | | | | |
| | | | B1-3200-G-1879 | • | | | | 2.64 thru 7.17 | | | | | | |
| | | | B8-3200-L-1676 | | • | | | 2.64 thru 3.21 | | | | | | |
| | | | B8-3200-S-1865 | | • | | | 3.42 thru 7.17 | | | | | | |
| RT-34-145 | Fwd | RD-17-145 | B4-3200-G-1645 | | | | | 2.00" - 39 | 2.79 thru 7.17 | REVERSE | | | | |
| | | | A6-3200-B-1978 | | | | | | | | | | | |
| | | | A8-3200-B-1978 | | • | | | | | | | | | |
| | | | B6-3200-F-1852 | | | | • | | | | | | | |
| | | | A6-3200-H-1984 | | | • | • | | | | | | | |
| | Rear | RR-17-145 | B7-3200-L-1676 | | | | | | 2.79 thru 3.21 | | | | | |
| | | | B7-3200-S-1865 | | | | | 3.42 thru 7.17 | | | | | | |
| | | | B9-3200-L-1676 | | • | | | 2.79 thru 3.21 | | | | | | |
| | | | B9-3200-S-1865 | | • | | | 3.42 thru 7.17 | | | | | | |
| | | | B4-3200-E-1851 | | | | • | | | | | | | |
| RT-40-140 | Fwd | RD-20-140 | A1-3200-B-1978 | | | | | 2.10" - 41 | 2.64 thru 7.17 | REVERSE | | | | |
| | | | B1-3200-G-1645 | | | | | | | | | | | |
| MT-40-143 | Fwd | MD-20-143 | B4-3200-S-1865 | | | | | | | | | | | |
| | | | A1-3200-B-1978 | | • | | | | | | | | | |
| | | | A1-3200-E-1981 | | | | | | | | | | | |
| | | | A1-3200-C-1979 * | | | | | | | | | | | |
| | | | MP-20-143 | A1-3200-H-1984 | | | • | | | | | | | |
| | Rear | MR-20-143M | MR-20-143 | A-3200-W-2051 | | | | | 2.64 thru 4.11 | | | | | |
| B4-3200-L-1676 | | | | | | | | 2.64 thru 3.21 | | | | | | |
| B4-3200-S-1865 | | | | | | | | 3.42 thru 7.17 | | | | | | |
| B1-3200-M-1885 * | | | | | | | | 2.79 thru 7.17 | | | | | | |
| RT-40-145 | Fwd | RD-20-145 | A1-3200-B-1978 | | | | | 2.10" - 41 | 2.64 thru 7.17 | REVERSE | | | | |
| | | | B1-3200-G-1645 | | | | | | | | | | | |
| | | | A1-3200-E-1981 | • | | | | | | | | | | |
| | | | A4-3200-B-1978 | | • | | | | | | | | | |
| | | | B1-3200-E-1903 | • | | | | | | | | | | |
| | | | A1-3200-C-1979 * | | | | | | | | | | | |
| | | | B1-3200-S-1917 * | | | | • | | | | | | | |
| | | | B1-3200-F-1852 | | | | • | | | | | | | |
| | | | Rear | RP-20-145 | RR-20-145 | A1-3200-K-1987 | • | | | | | • | | |
| | | | | | | B1-3200-D-1902 | • | | | | | • | | REVERSE |
| | A1-3200-H-1984 | | | | | | • | | | | | | | |
| | B1-3200-X-1662 | | | | | | • | | REVERSE | | | | | |
| | A4-3200-H-1984 | | | | | • | • | | | | | | | |
| | B1-3200-G-1853 | | | | | | • | • | | | | | | |
| | Rear | RR-20-145 | RR-20-145 | B4-3200-L-1676 | | | | | 2.64 thru 3.21 | | | | | |
| | | | | B4-3200-S-1865 | | | | | 3.42 thru 7.17 | | | | | |
| | | | | B1-3200-G-1879 | • | | | | 2.64 thru 7.17 | | | | | |
| | | | | B8-3200-L-1676 | | • | | | 2.64 thru 3.21 | | | | | |
| | | | | B8-3200-S-1865 | | • | | | 3.42 thru 7.17 | | | | | |
| | | | | B1-3200-M-1885 * | | | | | 2.79 thru 7.17 | | | | | |
| B1-3200-R-1916 * | | | | | | | • | | | | | | | |
| B1-3200-D-1850 | | | | | | | • | 2.64 thru 3.21 | | | | | | |
| B1-3200-E-1851 | | | | | | | • | 3.42 thru 7.17 | | | | | | |
| RT-44-145 | | | | Fwd | RD-22-145 | A1-3200-D-1980 | | | | | 2.10" - 41 | 3.42 thru 5.86 | | |
| | A1-3200-F-1982 | • | | | | | | | | | | | | |
| | RP-22-145 | A1-3200-J-1986 | | | | | • | | | | | | | |
| | | A1-3200-L-1988 | • | | | | • | | | | | | | |
| | | B1-3200-T-1918 | • | | | | • | | | | | | | |
| | Rear | RR-22-145 | RR-22-145 | B1-3200-P-1914 | | | • | | | | | | | |
| | | | | B1-3200-A-1873 | | | | | | | | | | |
| | | | | B6-3200-A-1873 | | • | | | | | | | | |
| | | | | B1-3200-F-1904 | • | | | | | | | | | |
| | | | | B1-3200-Z-1924 | | | | | | | | | | |

* Indicates aluminum carrier housing. (Not available in 2.64 ratio.)

FORWARD CARRIERS OF TANDEM AXLES

| ITEM | DESCRIPTION | REMARKS | CARRIER | QTY | PART NUMBER |
|-------|---|--|---|-------------|----------------|
| 1 | Nut - input yoke and shaft | Included in KIT 2637 | All prior to 11/93 | 1 | 40-X-1237 |
| | | Included in KIT 2638 | All after 11/93 | | 40-X-1233 |
| 1A | Washer - input shaft nut | Included in KIT 2637 | All prior to 11/93 | 1 | 1229-T-1736 |
| | | Included in KIT 2638 | All after 11/93 | | 1229-W-4521 |
| 4 | Capscrew - input bearing cage | | All | 7 | MS-212045-1 |
| 5 | Washer - input bearing cage | | All | 7 | 1229-C-1511 |
| 6 | Oil seal - input bearing cage | 3" I.D. | All prior to 11/93 | 1 | A-1205-P-2590 |
| | | 3.25" I.D. | All after 11/93 | | A-1205-R-2592 |
| 7, 10 | Bearing cage and cup assy. - input | | All w/out pump prior to 11/93 | 1 | A-3226-B-1224 |
| | | | All with pump prior to 11/93 | | A-3226-Z-1222 |
| | | | All w/out pump after 11/93 | | A-3226-V-1296 |
| | | | All with pump after 11/93 | | A-3226-D-1226 |
| 8 | Shim - input bearing cage | .075mm/.003 inch | Included in KIT 2429 | Use as req. | 2203-K-9241 |
| | | .125mm/.005 inch | | | 2203-L-9242 |
| | | .250mm/.010 inch | | | 2203-M-9243 |
| 9 | O-ring - input bearing cage | | Less pump | 1 | 5-X-1034 |
| | | | With pump | 2 | 5-X-1034 |
| 10 | Cup - input shaft bearing | | All | 1 | 3920 |
| 11 | Cone - input shaft bearing | | All after 11/93 | 1 | JM511945 |
| | | | All prior to 11/93 | | JM511946 |
| 12 | Baffle - oil | | All w/out pump | 1 | 3221-P-1004 |
| 13 | Washer - oil baffle | | | 3 | 1229-E-1669 |
| 14 | Capscrew - oil baffle | | | 3 | MS-208016-1 |
| 15, 1 | Input shaft and nut assy. | Less pump 2"-39 spline | All manufactured prior to 11/93 | 1 | A1-3297-Q-1161 |
| | | Less pump 2.38"-46 spline | All manufactured after 11/93 | | A-3297-U-1347 |
| | Input shaft, nut, ball assy. | Pump driven off flats on the input shaft | All manufactured prior to 8/91 | | KIT 2623 |
| | | Pump driven off splines on the input shaft. 2"-39 spline | All manufactured from 8/91 to 11/93 | | A-3297-Q-1161 |
| | | 2.38"-46 spline. With pump | All manufactured after 11/93 | | A-3297-T-1346 |
| 16 | Thrust washer - helical drive gear | | All | 1 | 1229-A-4785 |
| 17 | Helical gear and forward side gear | | All | 1 | 3892-R-4932 |
| 18 | Diff. case and pinion nest assy. - inter-axle | Bolted | 1645, 1662, 1902, 1978, 1979, 1980, 1981, 1982, 1984, 1986, 1987, 1988 carriers after 10/98 | 1 | A-3235-N-2380 |
| | | Welded | 1624 carrier | | KIT 2473 |
| | | | All except 1624 / prior to 10/98 | | A-3235-W-2025 |
| 19 | Snap-ring - inter-axle differential | | All | 1 | 2297-E-5335 |
| 20 | Clutch collar - inter-axle diff. | | | 1 | 3107-M-1183 |
| 21 | Side gear - inter-axle diff. | | All | 1 | 2234-R-1188 |
| 22 | Shift fork - inter-axle diff. | | All | 1 | A-3296-A-1093 |
| 23 | Cone - rear side gear bearing | | All | 1 | JLM-710949C |
| 24 | Cup - rear side gear bearing | | All | 1 | JLM-710910 |
| 25 | Adjusting screw - shift shaft | | All | 1 | 41-X-1208 |
| 26 | Jam nut - adjusting screw | | All | 1 | MN-312-1 |
| 27 | Spring - shift shaft return | | All except "reverse-air" | 1 | 2258-U-411 |
| 28 | Shift shaft - inter-axle differential | Bolt on style, Navistar only (reverse-air) | Use KIT 2686 which includes items 28 & 29D | 1 | 2244-D-1070 |
| | | | All except "reverse-air" | | 2244-K-1025 |
| 29 | Shift assy. - inter-axle diff. air | Screw in style, serviced as assembly only | | 1 | A2-3261-Q-1057 |
| | | Bolt on style, serviced as assembly only | | | A-3261-L-350 |
| | | Bolt on style, Navistar only (reverse-air) | | | A-3261-F-1046 |
| 29A | Snap ring | Bolt on style, Navistar only | Included in KIT 2709 | 1 | 1229-P-4280 |
| 29B | Spring - shift | (reverse-air) | | 1 | 2258-E-1175 |
| 29C | Gasket - shift assembly | | | 1 | 2208-R-1058 |

FORWARD CARRIERS OF TANDEM AXLES

| ITEM | DESCRIPTION | REMARKS | CARRIER | QTY | PART NUMBER | |
|--|--|---|--|----------------------|------------------------|-------------|
| 29D | Cover - shift assembly | Bolt on style, Navistar only (reverse-air) | Use KIT 2686 which includes items 28 & 29D | 1 | 3266-Q-1161 | |
| 29E | Washer - shift assembly capscrew | | | 6 | MWA-506 | |
| 29F | Capscrew - shift assembly short | | | 2 | 41-X-1080 | |
| 29G | Capscrew - shift assembly to carrier | | | 4 | MS206060-1 | |
| 29H | O-ring | | | Included in KIT 2709 | 1 | 5-X-1196 |
| 29J | O-ring | | | | 1 | 5-X-1197 |
| 29K | O-ring | | | | 1 | 5-X-1195 |
| 29L | Housing - shift | | | | 1 | 3261-F-1046 |
| 29M | Piston - shift assembly | | | | 1 | 2230-D-1096 |
| 29N | Snap ring | | | | 1 | 1229-W-1246 |
| 30 | Capscrew - air shift assembly | | 1624, 1645, 1662 and 1677 | 1 | 41-X-1209 | |
| 31, 56, 57 | Diff. carrier and cap assy. Kit incl. carrier and cap assy. and screw-in IAD shifter. Main diff. lock components included where applicable | Without pump, with diff. lock and bolt on IAD shifter | All 1677 except Navistar (Reverse-shift) | 1 | KIT 2704 | |
| | | With pump, diff. lock and bolt on IAD shifter | All 1624 except Navistar (Reverse-shift) | | KIT 2705 | |
| | | Without pump or diff. lock, with bolt on IAD shifter | All 1645 except Navistar (Reverse-shift) | | KIT 2706 | |
| | | With pump, w/o diff. lock with bolt on IAD shifter | All 1662 except Navistar (Reverse-shift) | | KIT 2707 ¹⁹ | |
| | | With pump, w/o diff. lock, with bolt on IAD shifter and thrust screw | 3200-X-1662 (Reverse-shift only) | | A2-3200-X-1662 | |
| | | Without pump, w/o diff. lock, for use with bolt on IAD shifter and thrust screw | 3200-G-1645 (Reverse-shift only) | | A2-3200-G-1645 | |
| | | With pump, with bolt on diff. lock and IAD shifter, with thrust screw | 3200-L-1624 and 3200-D-1902 (Reverse-shift only) | | A2-3200-D-1902 | |
| | | | 3200-M-1677 and 3200-E-1903 (Reverse-shift only) | | A2-3200-E-1903 | |
| | | Without pump or diff. lock, with screw-in IAD shifter | 3200-T-1814 and 3200-B-1978 | | A2-3200-B-1978 | |
| | | Without pump or diff. lock, with screw-in IAD shifter and thrust screw | 3200-B-1874 and 3200-D-1980 | | A2-3200-D-1980 | |
| | | Without pump, with screw-in diff. lock and IAD shifter | 3200-U-1815, 3200-R-1890, 3200-E-1981 | | A2-3200-E-1981 | |
| | | Without pump, with screw-in diff. lock and IAD shifter, with thrust screw | 3200-C-1875, 3200-G-1905, 3200-F-1982 | | A2-3200-F-1982 | |
| | | With pump, w/o diff. lock, with screw-in IAD shifter | 3200-V-1816 and 3200-H-1984 | | A2-3200-H-1984 | |
| | | With pump, w/o diff. lock with screw-in and IAD shifter, with thrust screw | 3200-D-1876 and 3200-J-1986 | | A2-3200-J-1986 | |
| | | With pump, with screw-in diff. lock and IAD shifter | 3200-W-1817, 3200-P-1888, 3200-K-1987 | | A2-3200-K-1987 | |
| | | With pump, with screw-in diff. lock and IAD shifter, with thrust screw | 3200-E-1877, 3200-H-1906, 3200-L-1988 | | A2-3200-L-1988 | |
| W/o pump, w/o diff. lock for use with internal ABS sensor, screw-in IAD shifter | 3200-F-1852 | A2-3200-F-1852 | | | | |
| With pump, w/o diff. lock, with screw-in IAD shifter, for use with internal ABS sensor | 3200-G-1853 | A2-3200-G-1853 | | | | |
| Without pump and main diff. lock, aluminum carrier | 3200-N-1860 and 3200-C-1979 | A2-3200-C-1979 | | | | |

19 No longer available.

FORWARD CARRIERS OF TANDEM AXLES

| ITEM | DESCRIPTION | REMARKS | CARRIER | QTY | PART NUMBER | |
|----------------------|--|--|-------------------------------------|---------------|------------------|------------------------|
| 31, 56, 57 (Cont) | Diff. carrier and cap assy. Kit incl. carrier and cap assy. and screw-in IAD shifter. Main diff. lock components included where applicable | Without pump and main diff. lock, aluminum carrier (for ABS) | 3200-S-1917 (Reverse-shift only) | 1 | A2-3200-S-1917 | |
| | | With pump, main diff. lock and thrust screw. Bolt-on | 3200-T-1918 | | A2-3200-T-1918 | |
| | | With pump and thrust screw, w/o main diff. lock. Bolt-on reverse IAD shifter | 3200-P-1914 | | A2-3200-P-1914 | |
| 31A | Thrust screw (not shown) | | | 1 | 41-X-1371 | |
| 31B | Jam nut (not shown) | | | 1 | 40-X-1016 | |
| 35, 44, 45 | Drive gear, pinion and nut assembly | Some models may not be available in all ratios | | Use 1 as req. | 2.64 Ratio | B-41718-1 ¹ |
| | | | | | 2.79 Ratio | A-41676-1 ² |
| | | | | | 2.93 Ratio | A-41104-1 |
| | | | | | 3.07 Ratio | A-41508-1 |
| | | | | | 3.21 Ratio | A-41510-1 |
| | | | | | 3.42 Ratio | A-41276-1 |
| | | | | | 3.58 Ratio | B-41512-1 |
| | | | | | 3.73 Ratio | B-41514-1 |
| | | | | | 3.90 Ratio | B-41678-1 ³ |
| | | | | | 4.11 Ratio | B-41680-1 ⁴ |
| | | | | | 4.33 Ratio | B-41278-1 |
| | | | | | 4.56 Ratio | B-41562-1 |
| | | | | | 4.63 Ratio | B-41280-1 |
| | | | | | 4.88 Ratio | B-41282-1 |
| | | | | | 5.29 Ratio | B-41284-1 |
| 5.86 Ratio | B-41466-1 | | | | | |
| 6.14 Ratio | A-41468-1 | | | | | |
| 6.43 Ratio | A-41470-1 | | | | | |
| 6.83 Ratio | A-41472-1 | | | | | |
| 7.17 Ratio | A-41474-1 | | | | | |
| 36 | Cone - drive pinion inner bearing | | All | 1 | H715334 | |
| 37 | Cup - drive pinion inner bearing | | All | 1 | H715311 | |
| 38 | Shim - pinion inner bearing cup | .075mm/.003 inch | Included in KIT 2429 | All | Use as req. | 2203-F-2788 |
| | | .125mm/.005 inch | | | | 2203-G-2789 |
| | | .250mm/.010 inch | | | | 2203-H-2790 |
| 39 | Spacer - pinion bearing inner | | All | 1 | 1244-V-1764 | |
| 40 | Gear - helical driven | | All | 1 | 3892-N-4902 | |
| 41 | Spacer - pinion bearing (variable thickness) | Included in KIT 2396 | All | Use 2 as req. | 5.30mm/.209 inch | 2203-D-9806 |
| | | | | | 5.33mm/.210 inch | 2203-E-9807 |
| | | | | | 5.35mm/.211 inch | 2203-F-9808 |
| | | | | | 5.38mm/.212 inch | 2203-G-9809 |
| | | | | | 5.40mm/.213 inch | 2203-H-9810 |
| | | | | | 5.50mm/.217 inch | 2203-J-9812 |
| | | | | | 5.60mm/.220 inch | 2203-K-9813 |
| | | | | | 5.70mm/.224 inch | 2203-L-9814 |
| | | | | | 5.80mm/.228 inch | 2203-M-9815 |
| | | | | | 5.90mm/.232 inch | 2203-N-9816 |
| | | | | | 6.20mm/.244 inch | 2203-U-9823 |
| | | | | | 6.00mm/.236 inch | 2203-P-9818 |
| | | | | | 6.10mm/.240 inch | 2203-Q-9819 |
| | | | | | 6.13mm/.241 inch | 2203-R-9820 |
| | | | | | 6.15mm/.242 inch | 2203-S-9822 |
| 6.18mm/.243 inch | 2203-T-9822 | | | | | |
| 42 | Cup - drive pinion outer bearing | | All | 1 | 72487 | |
| 43 | Cone - drive pinion outer bearing | | All | 1 | 72212C | |
| 44 | Washer - drive pinion nut | Use with 40-X-1145 | 145 series only | 1 | 1229-G-4063 | |
| | | Use with 40-X-1233 | 140 and 145 series only | | 1229-W-4521 | |
| 45 | Nut - drive pinion | M45x1.5-6H thd. | 140 and 145 series only | 1 | 40-X-1233 | |
| | | M50x2-6H thd. | 145 series only | | 40-X-1145 | |
| 46 | Cover - drive pinion | | All | 1 | 3266-C-1095 | |
| 47 | Washer - drive pinion cover | | All | 5 | 1229-K-1597 | |
| 48 | Capscrew - drive pinion cover | | All except aluminum | 5 | MS-210020-1 | |
| | | | Aluminum only | | MS-210030-1 | |
| 49 | Adjusting ring - diff. bearing | L.H. and R.H. | All without diff. lock | 2 | 2214-C-1095 | |
| | | R.H. | All with diff. lock | | 1 | 2214-C-1095 |
| | | L.H. | | | | 2214-Y-1039 |
| 50 | Cup - diff. bearing | L.H. and R.H. | All without diff. lock | 2 | JM-716610 | |
| | | R.H. | All with diff. lock | | 1 | JM-716610 |
| | | L.H. | | | | 1228-L-1130 |

1 Not available in the aluminum carrier.
3 Replaces B-41516-1 (3.91 ratio)

2 Replaces A-39908-3 (2.80 ratio)
4 Replaces B-41518-1 (4.10 ratio)

FORWARD CARRIERS OF TANDEM AXLES

| ITEM | DESCRIPTION | REMARKS | CARRIER | QTY | PART NUMBER |
|---|--|---|------------------------|---------------|---------------------------------|
| 51 | Cone - diff. bearing | L.H. and R.H. | All without diff. lock | 2 | JM-716649 |
| | | R.H. | All with diff. lock | 1 | JM-716649 |
| | | L.H. | | | A-1228-L-1130 |
| 52 | Capscrew - main diff. case | | All | 16 | 41-X-1327 |
| 53 | Washer - main diff. case | | All | 18 | 1229-C-1511 |
| 54, 52, 53 | Case assy. standard - main diff. | Ratios 2.64, 2.79, 2.93 | Without diff. lock | Use 1 as req. | A8-3235-V-1920 |
| | | | With diff. lock | | A2-3235-V-1920 |
| | | Ratios 3.07, 3.21 | Without diff. lock | | A8-3235-S-1839 |
| | | | With diff. lock | | A2-3235-S-1839 |
| | | Ratios 3.42, 3.58, 3.73, 3.90, 4.11 (All except RT44145 tandem) | Without diff. lock | | A8-3235-U-1841 |
| | | | With diff. lock | | A2-3235-U-1841 |
| | | Ratios 3.42, 3.58, 3.73, 3.90, 4.11 (RT44145 tandem only) | Without diff. lock | | KIT 2665 |
| | | | With diff. lock | | KIT 2664 |
| | | Ratios 4.30, 4.56, 4.63, 4.88, 5.29, 5.86, 6.14, 6.43, 6.83, 7.17 (RT44145 tandem only) | Without diff. lock | | KIT 2647 |
| | | | With diff. lock | | KIT 2648 |
| 54, 52, 53, 204, 205, 206 | Case assy. with ABS tubes - main diff. | Ratios 3.07, 3.21 | | Use 1 as req. | A3-3235-M-2171 ⁶ |
| | | | | | A2-3235-M-2171 ⁵ |
| | | Ratios 3.42, 3.58, 3.73, 3.90, 4.11 (All except RT44145 tandem) | | | A3-3235-L-2170 ⁶ |
| | | | | | A2-3235-L-2170 ^{5 19} |
| 54, 52, 53, 59, 60, 62, 63 | Case & nest assy. standard - main diff. | Ratios 2.64, 2.79, 2.93 | Without diff. lock | Use 1 as req. | A9-3235-V-1920 ⁶ |
| | | | With diff. lock | | A10-3235-V-1920 ⁵ |
| | | Ratios 3.07, 3.21 | Without diff. lock | | A3-3235-V-1920 ⁶ |
| | | | With diff. lock | | A9-3235-S-1839 ⁶ |
| | | | With diff. lock | | A10-3235-S-1839 ⁵ |
| | | Ratios 3.42, 3.58, 3.73, 3.90, 4.11 (All except RT44145 tandem) | Without diff. lock | | A9-3235-U-1841 ⁶ |
| | | | With diff. lock | | A10-3235-U-1841 ⁵ |
| | | Ratios 3.42, 3.58, 3.73, 3.90, 4.11 (RT44145 tandem only) | Without diff. lock | | A5-3235-D-2188 ⁶ |
| | | | With diff. lock | | A6-3235-D-2188 |
| | | Ratios 4.30, 4.56, 4.63, 4.88, 5.29, 5.86, 6.14, 6.43, 6.83, 7.17 (All except RT44145 tandem) | Without diff. lock | | A9-3235-W-1843 ⁶ |
| | With diff. lock | A10-3235-W-1843 ⁵ | | | |
| 54, 52, 53, 59, 60, 62, 63, 204, 205, 206 | Case & nest assy. with ABS tubes - main diff. | Ratios 3.07, 3.21 | | Use 1 as req. | A5-3235-M-2171 ⁶ |
| | | | | | A4-3235-M-2171 ⁵ |
| | | Ratios 3.42, 3.58, 3.73, 3.90, 4.11 (All except RT44145 tandem) | | | A5-3235-L-2170 ⁶ |
| | | | | | A4-3235-L-2170 ⁵ |
| 54, 52, 53, 63A | Case & nest assy. with NoSPIN diff. - main diff. | Ratios 2.64, 2.79, 2.93 | | Use 1 as req. | A12-3235-V-1920 ⁵ |
| | | | | | A11-3235-V-1920 ⁶ |
| | | Ratios 3.07, 3.21 | | | A12-3235-S-1839 ⁵ |
| | | | | | A11-3235-S-1839 ⁶ |
| | | Ratios 3.42, 3.58, 3.73, 3.90, 4.11 (All except RT44145 tandem) | | | A12-3235-U-1841 ^{5 19} |
| | | | | | A11-3235-U-1841 ⁶ |
| | | Ratios 3.42, 3.58, 3.73, 3.90, 4.11 (RT44145 tandem only) | | | A4-3235-D-2188 ⁶ |
| | | | | | A12-3235-W-1843 ⁵ |
| | | Ratios 4.30, 4.56, 4.63, 4.88, 5.29, 5.86, 6.14, 6.43, 6.83, 7.17 (All except RT44145 tandem) | | | A11-3235-W-1843 ⁶ |
| | | | | | A4-3235-T-2152 ⁶ |
| 55 | Bolt - gear to case | Included in KIT 2317 | | 12 | 41-X-1216 |

5 2.00"-39 spline
19 No longer available.

6 2.10"-41 spline

FORWARD CARRIERS OF TANDEM AXLES

| ITEM | DESCRIPTION | REMARKS | CARRIER | QTY | PART NUMBER |
|------|-------------------------------|---|--|-----|----------------------------|
| 55A | Rivet - gear to diff. case | For service, rivets can be replaced with KIT 2317 | | 12 | RV-71016 |
| 56 | Washer - diff. bearing cap | | All | 4 | 42-X-1021 |
| 57 | Capscrew - diff. bearing cap | | Aluminum only | 4 | 41-X-1365 |
| | | | All except aluminum | | MS-220120-1 |
| 58 | Pin - adjusting ring lock | L.H. and R.H. | All without diff. lock | 2 | 1199-R-2176 |
| | | R.H. | All with diff. lock | 1 | 1199-R-2176 |
| | | L.H. | | | 1246-P-1134 |
| 59 | Thrust washer - side gear | Items 59-63 are not used in NoSPIN models. See item 63A | All after 11/93 | 2 | 1229-V-4624 |
| | | | All prior to 11/93 | | 1229-X-4522 |
| 60 | Side gear - differential | Items 59-63 are not used in NoSPIN models. See item 63A | All 40,000 lb. tandems prior to 11/93 | 2 | KIT 2759 ⁶ |
| | | Included in KIT 2310 | All 40,000 lb. tandems after 11/93 | | 2234-U-1269 ⁶ |
| | | | RT44145 tandems prior to 12/92 | | KIT 2696 |
| | | | RT44145 tandems from 1/93 to 11/93 | | KIT 2760 |
| | | Included in KIT 2696 | RT44145 tandems after 11/93 | | 2234-X-1272 ⁶ |
| | | | All 34,000 lb. tandems prior to 11/93 | | KIT 2758 ⁵ |
| | | Included in KIT 2389 | All 34,000 lb. tandems after 11/93 | | 2234-V-1270 ⁵ |
| 61 | Spider - differential (cross) | Included in KIT 2696 | 44,000 lb. tandems only | 1 | 3278-Y-1117F |
| | | | All except 44,000 lb. tandems | | 3278-S-305 |
| 62 | Gear - differential pinion | | All axles except RT44145 tandems produced after 1/93 | 4 | 2233-J-1024 |
| | | | RT44145 tandems produced after 1/93 | | 2233-X-1116 |
| 63 | Thrust washer - diff. pinion | | | 4 | 1229-R-1032 |
| 63A | NoSPIN diff. nest | Serviced as assembly only. Replaces items 59-63. | All 40,000 & 44,000 lb. capacity tandems | 1 | A-3230-T-1034 ⁶ |
| | | | All 34,000 lb. capacity tandems | | A-3230-U-1035 ⁵ |
| 64 | Washer - gear to diff. case | Included in KIT 2317 | All | 12 | 1229-U-1503 |
| 65 | Nut - gear to diff. case | | | 12 | 40-X-1182 |

Note: The following parts are used only on forward carriers with main differential lock.

| | | | | | |
|-----|-----------------------------------|-----------------------|--|-----------------|--------------------------|
| 66 | Sensor/switch - main diff. lock | | | 1 | KIT 4455 |
| 66A | Clip - sensor/switch | | | 1 | 2257-M-1235 |
| 67 | Lock nut - sensor/switch | | All prior to 11/93 | 1 | 1227-P-1056 |
| 68 | Spring - main diff. lock | | All prior to 11/93 | 1 | 2258-L-714 |
| | | | All after 11/93 | | 2258-N-1262 |
| 69 | Roll pin - spring retaining | | | 1 | 43-X-1006 |
| 70 | Shift shaft - main diff. lock | Not Threaded for fork | All after 11/93 | 1 | 2244-V-1114 |
| | | Threaded for fork | All prior to 11/93 | | 2244-L-1026 |
| 71 | Piston - main diff. lock | | All prior to 11/93 | 1 | 2230-N-170 |
| | | | All after 11/93 | | 2230-T-1190 |
| 72 | O-ring piston | | All after 11/93 | 1 | 5-X-1198 |
| | | | All prior to 11/93 | | 5-X-1153 |
| 73 | Tube - air cylinder | | All prior to 11/93 | 1 | 3196-F-32 |
| 73A | Air cylinder assembly - screw-in | | All after 11/93 | 1 | 3261-A-1067 |
| 74 | Gasket - air cylinder cover | | | 1 | 2208-H-944 |
| 75 | Capscrew - manual engaging | | | 1 | 41-X-1333 |
| | | | | | 41-X-1368 |
| 75A | O-ring - manual engaging capscrew | | | 1 | 5-X-521 |
| 76 | Cover - air cylinder | | Used only on axles produced prior to 11/93 | 1 | 3266-F-1020 |
| 77 | Plug - air cylinder cover | | | 1 | MS-210016-1 |
| 78 | Gasket - plug | | | 1 | 2208-L-1000 |
| 79 | Capscrew - air cylinder cover | | | 4 | 41-X-1364 |
| 80 | Washer - air cylinder cover | | | 4 | MWA-506 |
| 81 | Clutch collar | | | 1 | 3107-D-1018 |
| 82 | Shift fork | Not threaded | | All after 11/93 | 1 |
| | | Threaded | All prior to 11/93 | | 3296-W-1167 ⁷ |
| 83 | Pin - shift fork | Old 3 piece design | | 2 | 43-X-1007 |

FORWARD CARRIERS OF TANDEM AXLES

| ITEM | DESCRIPTION | REMARKS | CARRIER | QTY | PART NUMBER |
|---|-------------------------------------|-------------------------------|--|-----|---------------|
| Note: The following parts are used only on forward carriers with pump. | | | | | |
| 84 | Shield - filter | | | 1 | 3280-Z-8398 |
| 85 | Plug - oil pressure relief valve | No longer required as of 5/97 | | 1 | 1250-N-1080 |
| 86 | Washer - plug | | | 1 | 1229-F-4062 |
| 87 | Spring - oil pressure relief valve | | | 1 | 2258-Z-1118 |
| 88 | Pressure relief valve - oil | | | 1 | 2297-U-5273 |
| 90 | O-ring, oil pump | | | 1 | 5-X-1034 |
| 91 | Oil pump assembly | Serviced as assembly only | Pump driven off splines on input shaft | 1 | A-3303-P-1030 |
| | | | Pump driven off flats on input shaft | | KIT 2623 |
| 92 | Washer - oil pump | | | 6 | 1229-E-1669 |
| 93 | Capscrew - oil pump | | | 6 | MS-208045-1 |
| 94 | Oil filter | | | 1 | 3280-V-8394 |
| 95 | Adapter - oil filter | | | 1 | 2297-Z-5278 |
| 96 | Screen and plumb assy. - oil filter | | | 1 | A-2297-D-5334 |

Note: The following parts are used only on forward carriers with internally mounted anti-lock brake system sensors.

| | | | | | |
|-----|----------------------------|-----------|--------------|---|-----------------|
| 200 | Wave washer | | | 2 | 2258-U-1243 |
| 201 | Snap ring | | | 2 | 1229-B-4422 |
| 202 | Snap ring | | | 2 | 1229-U-4519 |
| 203 | Sensor assembly | | | 2 | SA1-3280-U-8861 |
| 204 | Sensor - drive tube | 39 Spline | Use KIT 2511 | 2 | 3216-S-4361 |
| | | 41 Spline | Use KIT 2512 | | 3216-Q-4359 |
| 205 | Washer - tube spacing | | | 2 | 42-X-1248 |
| 206 | Snap ring - tube retaining | | | 2 | 1229-H-4428 |



MERITOR™

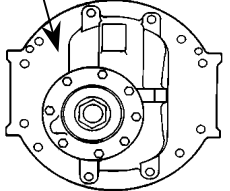
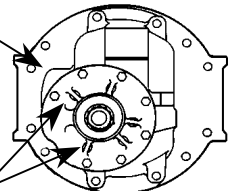
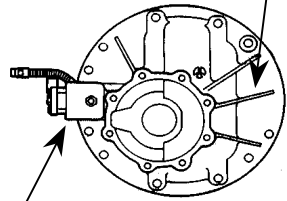
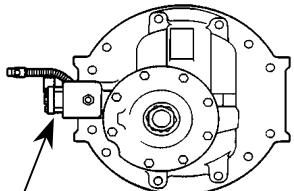
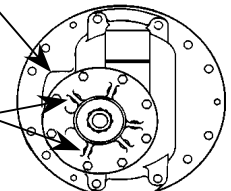
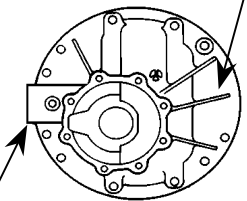
an **ArvinMeritor**™ brand

7 Replaced old three piece design (3296-N-1080)

CHART 2

CARRIERS FOR SINGLE AXLES AND REARS OF TANDEM AXLES

(Use with Figure 2, Inside Front Cover)

| VISUAL IDENTIFICATION OF REAR CARRIERS | | |
|--|---|---|
| <p style="text-align: center;">NO BULGE</p>  <p style="text-align: center;">REAR CARRIERS WITHOUT DIFF. LOCK</p> <p style="text-align: center;">3200-Q-1785 3200-C-1849 3200-E-1851 3200-S-1865 3200-A-1873 3200-Z-1924</p> | <p style="text-align: center;">BULGE</p>  <p style="text-align: center;">BEARING CAGE RIBS ON SOME MODELS</p> <p style="text-align: center;">REAR CARRIER WITHOUT DIFF. LOCK</p> <p style="text-align: center;">3200-M-1547</p> | <p style="text-align: center;">RIBS</p>  <p style="text-align: center;">DIFF. LOCK</p> <p style="text-align: center;">REAR CARRIER WITH DIFF. LOCK</p> <p style="text-align: center;">3200-M-1547</p> |
| <p style="text-align: center;">DIFF. LOCK</p>  <p style="text-align: center;">REAR CARRIERS WITH DIFF. LOCK</p> <p style="text-align: center;">3200-X-1558 3200-C-1849 3200-E-1851 3200-S-1865 3200-A-1873</p> | <p style="text-align: center;">BULGE</p>  <p style="text-align: center;">BEARING CAGE RIBS ON SOME MODELS</p> <p style="text-align: center;">REAR CARRIER WITHOUT DIFF. LOCK</p> <p style="text-align: center;">3200-L-1676 3200-M-1885</p> | <p style="text-align: center;">RIBS</p>  <p style="text-align: center;">NO DIFF. LOCK</p> <p style="text-align: center;">REAR CARRIER WITHOUT DIFF. LOCK</p> <p style="text-align: center;">3200-R-1500</p> |

THE FOLLOWING CARRIERS ARE EQUIPPED WITH A THRUST SCREW:
3200-Z-1872, 3200-A-1873, 3200-F-1904, 3200-Z-1924

THE FOLLOWING CARRIERS ARE MACHINED FOR INTERNAL ABS SENSORS:
3200-D-1850, 3200E-1851, 3200-Z-1924

3200-W-2051 CARRIER (not pictured) IS EQUIPPED WITH A THRUST SCREW,
HAS INTEGRAL PINION BEARING CAGE AND IS NOT AVAILABLE WITH DIFF. LOCK.

CARRIERS FOR SINGLE AXLES AND REARS OF TANDEM AXLES

| ITEM | DESCRIPTION | REMARKS | CARRIER | QTY | PART NUMBER | |
|---------------|-----------------------------------|---|------------------------------------|------------------------------------|----------------------------|-------------|
| 97 | Nut - drive pinion | Included in KIT 2637 | All except RS17140 | 1 | 40-X-1237 | |
| | | Included in KIT 2636 | RS17140 only | | 40-X-1236 | |
| 97A | Washer - drive pinion nut | Included in KIT 2637 | All except RS17140 | 1 | 1229-T-1736 | |
| | | Included in KIT 2636 | RS17140 only | | 1229-A-2653 | |
| 100 | Oil seal - pinion bearing cage | | All except RS17140 | 1 | A-1205-N-2588 | |
| | | | RS17140 only | | A-1205-D-1928 | |
| 101 | Cone - drive pinion outer bearing | Amboid series | 3200-W-2051 | 1 | 72225C | |
| | | | All except RS17140 and 3200-W-2051 | | 55206C | |
| | | | RS17140 only | | M804049 | |
| 102 | Cup - drive pinion outer bearing | Amboid series | 3200-W-2051 | 1 | 72487 | |
| | | | All except RS17140 and 3200-W-2051 | | 55437 | |
| | | | RS17140 | | M804010 | |
| 103 | Capscrew - input bearing cage | | All except aluminum | 8 | MS-212045-1 | |
| | | | Aluminum only | | 41-X-1043 | |
| 104 | Washer - input bearing cage | | All | 8 | 1229-C-1511 | |
| 105, 102, 108 | Pinion bearing cage and cup assy. | 3200-Q-1785, 3200-C-1849, 3200-E-1851, 3200-S-1865, 3200-A-1873, 3200-Z-1924 | RR20140, RR20145, RR22145 | 1 | A-3226-N-1236 ⁹ | |
| | | 3200-R-1500, 3200-X-1558, 3200-L-1676, 3200-M-1885, 3200-Z-1872, 3200-G-1879, 3200-F-1904 | | | A-3226-M-1053 ⁹ | |
| | | | RS17140 | | A-3226-P-1056 | |
| 106 | Shim - pinion bearing cage | .076mm/.003 inch | Included in KIT 1647 | Use as req. | 2203-F-2788 | |
| | | .127mm/.005 inch | Shim O.D. 5.19" | | 2203-G-2789 | |
| | | .254mm/.010 inch | | | 2203-H-2790 | |
| | | .075mm/.003 inch | Included in KIT 2313 | | 2803-Q-2851 | |
| | | .125mm/.005 inch | Shim O.D. 9.62" | | 2803-R-2852 | |
| | | .250mm/.010 inch | | | 2803-S-2853 | |
| | | .500mm/.020 inch | | | 2803-T-2854 | |
| | | .075mm/.003 inch | Included in KIT 1568 | | 2203-C-8115 | |
| | | .125mm/.005 inch | Shim O.D. 8.50" | | 2203-D-8116 | |
| | | .250mm/.010 inch | | | 2203-E-8117 | |
| | | .500mm/.020 inch | | | 2203-B-9804 | |
| 107 | Spacer - pinion bearing | 9.40mm/.370 inch | Included in KIT 2541 | | Use 2 as req. | 1244-M-2431 |
| | | 9.43mm/.371 inch | | | | 1244-N-2432 |
| | | 9.45mm/.372 inch | | | | 1244-P-2434 |
| | | 9.48mm/.373 inch | | 1244-Q-2435 | | |
| | | 9.50mm/.374 inch | | 1244-R-2436 | | |
| | | 9.60mm/.378 inch | | 1244-S-2437 | | |
| | | 9.70mm/.382 inch | | 1244-T-2438 | | |
| | | 9.80mm/.386 inch | | 1244-U-2439 | | |
| | | 9.90mm/.390 inch | | 1244-V-2440 | | |
| | | 10.00mm/.394 inch | | 1244-W-2441 | | |
| | | 10.10mm/.398 inch | | 1244-X-2442 | | |
| | | 10.20mm/.402 inch | | 1244-Y-2443 | | |
| | | 10.23mm/.403 inch | | 1244-Z-2444 | | |
| | | 10.25mm/.404 inch | | 1244-A-2445 | | |
| | | 10.28mm/.405 inch | | 1244-B-2446 | | |
| | | 10.30mm/.406 inch | | 1244-C-2447 | | |
| | | 8.75mm/.345 inch | Included in KIT 2322 | All except RS17140 and 3200-W-2051 | | 2203-J-9474 |
| | | 8.78mm/.346 inch | | | | 2203-K-9475 |
| | | 8.80mm/.347 inch | | | | 2203-L-9476 |
| | | 8.83mm/.348 inch | | | | 2203-M-9477 |
| | | 8.85mm/.349 inch | | | | 2203-N-9478 |
| | | 8.98mm/.345 inch | | | | 2203-P-9480 |
| | | 9.10mm/.358 inch | | | | 2203-Q-9481 |
| | | 9.13mm/.359 inch | | | | 2203-R-9482 |
| | | 9.15mm/.360 inch | | | | 2203-S-9483 |
| | | 9.18mm/.361 inch | | | | 2203-T-9484 |
| | | 9.20mm/.362 inch | | | | 2203-U-9485 |
| | | 8.35mm/.329 inch | Included in KIT 2321 | RS17140 only | | 2203-V-9486 |
| | | 8.38mm/.330 inch | | | 2203-W-9487 | |
| | | 8.40mm/.331 inch | | | 2203-X-9488 | |
| | | 8.43mm/.332 inch | | | 2203-Y-9489 | |
| | | 8.45mm/.333 inch | | | 2203-Z-9490 | |

9 For carriers with Telma Retarders or parking brakes call specifications for different cage, (888) 725-9355.

CARRIERS FOR SINGLE AXLES AND REARS OF TANDEM AXLES

| ITEM | DESCRIPTION | REMARKS | CARRIER | QTY | PART NUMBER | |
|--------------|-----------------------------------|------------------|---|--|-------------------------|----------------|
| 107 (Cont) | Spacer - pinion bearing | 8.58mm/.338 inch | Included in KIT 2321 | RS17140 only | Use 2 as req. | 2203-A-9491 |
| | | 8.70mm/.343 inch | | | | 2203-B-9492 |
| | | 8.73mm/.344 inch | | | | 2203-C-9493 |
| | | 8.75mm/.345 inch | | | | 2203-D-9494 |
| | | 8.78mm/.346 inch | | | | 2203-E-9495 |
| | | 8.80mm/.347 inch | | | | 2203-F-9496 |
| 107A | Spacer - pinion bearing | | 3200-W-2051 only | 1 | 1244-F-2346 | |
| 108 | Cup - drive pinion inner bearing | Amboid series | 3200-W-2051 | 1 | H715311 | |
| | | | All except RS17140 and 3200-W-2051 | | 72487 | |
| | | | RS17140 only | | 55437 | |
| 109 | Cone - drive pinion inner bearing | Amboid series | 3200-W-2051 | 1 | H715334 | |
| | | | All except RS17140 and 3200-W-2051 | | 72212C | |
| | | | RS17140 only | | 55200C | |
| 110, 97, 97A | Drive gear, pinion and nut assy | 3.42 Ratio | Input spline size 2.00" dia. - 39 splines. Original small pitch dia. ring gear. New style will not fit in this carrier. | 3200-Q-1785 | Use 1 as req. | B-41530-1 |
| | | 3.58 Ratio | | | | B-41532-1 |
| | | 3.73 Ratio | | | | B-41534-1 |
| | | 3.91 Ratio | | | | B-41536-1 |
| | | 4.10 Ratio | | | | B-41538-1 |
| | | 4.30 Ratio | | | | Use 4.33 Ratio |
| | | 4.33 Ratio | | | | B-41540-1 |
| | | 4.56 Ratio | | | | B-41542-1 |
| | | 4.88 Ratio | | | | B-41544-1 |
| | | 5.13 Ratio | | | | B-41546-1 |
| | | 5.29 Ratio | | | | B-41548-1 |
| | | 5.57 Ratio | | | | B-41550-1 |
| | | 5.86 Ratio | | | | B-41552-1 |
| | | 6.14 Ratio | | | | B-41554-1 |
| | | 6.43 Ratio | | | | B-41556-1 |
| | | 6.83 Ratio | B-41558-1 | | | |
| | | 7.17 Ratio | B-41560-1 | | | |
| | | 2.64 Ratio | Input spline size 2.00" dia. - 39 splines. New larger pitch diameter gearing. | 1500, 1558, 1676, 1885, 1872, 1879, 1904 | B-41716-1 ¹¹ | |
| | | 2.79 Ratio | | | A-41682-1 ¹¹ | |
| | | 2.93 Ratio | | | A-41158-1 | |
| | | 3.07 Ratio | | | A-41494-1 | |
| | | 3.21 Ratio | A-41496-1 | | | |
| | | 2.64 Ratio | Input spline size 2.00" dia. - 39 splines. Amboid series axles. | 3200-W-2051 | B-42120-1 | |
| | | 2.79 Ratio | | | A-42172-1 | |
| | | 3.08 Ratio | | | A-42200-1 | |
| | | 3.36 Ratio | | | A-42202-1 | |
| | | 3.55 Ratio | | | A-42204-1 | |
| | | 3.70 Ratio | | | B-42206-1 | |
| | | 3.90 Ratio | | | B-42180-1 | |
| | | 4.11 Ratio | | | A-42128-1 | |
| | | 3.42 Ratio | Input spline size 2.00" dia. - 39 splines. New larger pitch diameter gearing. | All except RS16140, RS17140, 3200-Q-1785 and 3200-W-2051 carriers. | B-41164-1 | |
| | | 3.58 Ratio | | | B-41498-1 | |
| | | 3.58 Ratio | | | A-41842-1 ¹² | |
| | | 3.73 Ratio | | | B-41500-1 | |
| | | 3.90 Ratio | | | B-41684-1 ¹³ | |
| | | 3.91 Ratio | | | A-41830-1 ¹² | |
| | | 4.10 Ratio | | | A-41802-1 ¹² | |
| | | 4.11 Ratio | | | B-41686-1 ¹⁴ | |
| | | 4.33 Ratio | | | B-41266-1 ¹⁶ | |
| | | 4.33 Ratio | | | A-41654-1 ¹⁵ | |
| | | 4.56 Ratio | | | B-41542-1 | |
| | | 4.63 Ratio | | | B-41268-1 | |
| | | 4.63 Ratio | | | A-41672-1 ¹² | |
| | | 4.88 Ratio | | | B-41270-1 | |
| | | 4.88 Ratio | | | A-41714-1 ¹² | |
| | | 5.13 Ratio | | | A-41652-1 ¹² | |
| | | 5.13 Ratio | | | A-41272-1 | |
| 5.29 Ratio | B-41274-1 | | | | | |
| 5.57 Ratio | A-41304-1 | | | | | |
| 5.86 Ratio | B-41456-1 | | | | | |
| 6.14 Ratio | A-41458-1 | | | | | |
| 6.43 Ratio | A-41460-1 | | | | | |
| 6.83 Ratio | A-41462-1 | | | | | |
| 7.17 Ratio | A-41464-1 | | | | | |

1 Not available in the aluminum carrier.

12 Coach quality gearing

14 Replaces B-41504-1 (4.10 ratio)

16 4.33 coach quality use diff. for 3.42 - 4.11.

11 Replaces A-39910-1 (2.80 ratio)

13 Replaces B-41502-1 (3.91 ratio)

15 Coach quality gearing. 4.33 coach quality use diff. for 3.42 - 4.11.

CARRIERS FOR SINGLE AXLES AND REARS OF TANDEM AXLES

| ITEM | DESCRIPTION | REMARKS | CARRIER | QTY | PART NUMBER | |
|---------------------------|-------------------------------------|---|--|------------------|---------------------------------------|-------------------------|
| 110, 97, 97A (Cont) | Drive gear, pinion and nut assy | 3.42 Ratio | Input spline size 1.75" dia. - 34 splines. | RS16140, RS17140 | Use 1 as req. | A-41164-3 |
| | | 3.58 Ratio | | | | A-41498-3 |
| | | 3.73 Ratio | | | | A-41500-3 |
| | | 3.90 Ratio | | | | A-41684-3 ¹⁷ |
| | | 4.11 Ratio | | | | A-41686-3 ¹⁸ |
| | | 4.33 Ratio | | | | A-41266-3 |
| | | 4.56 Ratio | | | | B-41542-3 |
| | | 4.88 Ratio | | | | A-41270-3 |
| | | 5.13 Ratio | | | | A-41272-3 |
| | | 5.29 Ratio | | | | A-41274-3 |
| | | 5.57 Ratio | | | | A-41304-3 |
| | | 5.86 Ratio | | | | A-41456-3 |
| | | 6.43 Ratio | | | | A-41460-3 |
| | | 6.83 Ratio | | | | A-41462-3 |
| | | | | | A-41464-3 | |
| 111 | Bearing - drive pinion spigot | | All | 1 | 1228-F-552 | |
| 112 | Snap ring - drive pinion bearing | | All | 1 | 1229-A-1301 | |
| 113, 114, 115 | Diff. carrier and cap Assy. | Original design | 3200-R-1500 | 1 | A2-3200-R-1500 | |
| | | Without main diff. lock | 3200-M-1547 (3.91 and 4.10 Ratios) | | KIT 2729 ¹⁹ | |
| | | | All other ratios | | KIT 2730 | |
| | | | 3200-L-1676 | | A2-3200-L-1676 | |
| | | With screw-in main diff. lock and thrust screw | 1558, 1872, 1879, 1904 | | KIT 2755 | |
| | | Without main diff. lock, with thrust screw | 1785, 1865, 1873 (3.42 - 7.17 ratios) | | KIT 2756 | |
| | | | Without main diff. lock, with internal ABS sensor | | 3200-D-1850 (3.07 and 3.21 ratios) | A2-3200-D-1850 |
| | | | 3200-E-1851 (3.42 - 7.17 ratios) | | A2-3200-E-1851 | |
| | | Without main diff. lock, aluminum carrier | 3200-M-1885 (aluminum version of 1676 carrier) | | A2-3200-M-1885 | |
| | | | 3200-C-1849 (aluminum version of 1865 carrier) | | A2-3200-C-1849 | |
| | | Without main diff. lock, with thrust screw with internal ABS sensor | 3200-Z-1924 | | A2-3200-Z-1924 | |
| Amboid series drive axles | 3200-W-2051 | A2-3200-W-2051 | | | | |
| 113A | Thrust screw | | 3200-W-2051 | 1 | 10-X-1710 | |
| | Not shown | | All except 3200-W-2051 | | 41-X-1371 | |
| 113B | Jam nut | Not shown | | 1 | 40-X-1016 | |
| 113C | Thrust block | | 3200-W-2051 only | 1 | 2297-P-8336 | |
| 114 | Washer - differential bearing cap | | All | 4 | 42-X-1021 | |
| 115 | Capscrew - differential bearing cap | | All except aluminum | 4 | MS-220120-1 | |
| | | | Aluminum only | | 41-X-1365 | |
| 116 | Adjusting ring | L.H. - small | 1547, 1558 and 1879 | 1 | 2214-C-1095 | |
| | | R.H. - small | | | 2214-Y-1039 | |
| | | L.H. and R.H. | | | | |
| | | | 3200-R-1500 | 2 | 2214-L-272 | |
| | | | All except 1500, 1547 and 1558 | | 2214-C-1095 | |
| 117 | Adjusting ring lock | L.H. and R.H. | 1676, 1785 and 1865 | 2 | 1199-R-2176 | |
| | | | 3200-M-1547 | | 1246-P-1134 | |
| | | L.H. only | 3200-R-1500 | 1 | 1199-R-2176 | |
| | | | 3200-X-1558, 3200-G-1879 | 1 | 1199-R-2176 | |
| | R.H. only | | 1 | 1246-P-1134 | | |
| 118 | Cup - diff. ring | L.H. only | 1547, 1558 and 1879 | 1 | JM-716610 | |
| | | R.H. only | | | 1228-L-1130 | |
| | | L.H. and R.H. | | | | |
| | | | 1676, 1785 and 1865 | 2 | JM-716610 | |
| | | | 3200-R-1500 | | A1-1228-H-606 ¹⁰ | |
| 118A | Adhesive - diff. bearing cup | | | 1 | 2297-T-4180 | |
| 119 | Cone - diff. bearing | L.H. and R.H. | 1676, 1785 and 1865 | 2 | JM-716649 | |
| | | | 3200-R-1500 | | A1-1228-H-606 | |
| | | L.H. only | All 1547, 1558 and 1879 | 1 | JM-716649 | |
| | | R.H. only | | | A-1228-L-1130 | |

10 Sold as a cup and cone set only.
18 Replaces A-41504-3 (4.10 ratio)

17 Replaces A-41502-3 (3.91 ratio)
19 No longer available.

CARRIERS FOR SINGLE AXLES AND REARS OF TANDEM AXLES

| ITEM | DESCRIPTION | REMARKS | CARRIER | QTY | PART NUMBER | |
|--|---|--|-----------------------------|---|----------------------------------|--------------------------------|
| 120 | Nut - gear to differential case | Included in KIT 2317 | All | 12 | 40-X-1182 | |
| 121 | Washer - gear to differential case | | | 12 | 1229-U-1503 | |
| 122 | Bolt - differential case to gear | | | 12 | 41-X-1216 | |
| 122A | Rivet - gear to differential | For service, rivets can be replaced with KIT 2317 | All | 12 | RV-71016 | |
| 123, 129, 130 | Case assy - main diff. | Ratios 2.64, 2.79, 2.93 | With diff. lock | 1558, 1879 | Use 1 as req. | A2-3235-V-1920 |
| | | | Without diff. lock | 1676, 1885, 2051 | | A8-3235-V-1920 |
| | | Ratios 3.07, 3.08, 3.21 and 3.36 | With diff. lock | 1558, 1879 | | A2-3235-S-1839 |
| | | | Without diff. lock | A12-3200-R-1500 | | A2-3235-Y-1741 ¹⁹ |
| | | Ratios 3.42, 3.55, 3.58, 3.70, 3.73, 3.90, 3.91, 4.10, 4.11 (Except 44,000 lb. tandem axles) Note: 4.33 ratio for coach quality gearing also uses this std. diff. case. | With diff. lock | 1676, 1885 and 2051 | | A8-3235-S-1839 |
| | | | | 3200-M-1547 except 1.85"-36 spline | | A-3235-S-1839 |
| | | | Without diff. lock | 1558, 1849, 1879 and 1904 | | A2-3235-U-1841 |
| | | | | A12-3200-R-1500 | | A6-3235-C-1719 |
| | | | | 3200-M-1547 except 1.85"-36 spline | | A-3235-U-1841 |
| | | | | RS16140, RS17140, 3200-M-1547 (1.85"-36 spline) | | A-3235-N-1938 |
| | | Ratios 3.42, 3.58, 3.73, 3.90, 3.91, 4.10, 4.11 (44,000 lb. tandem axles only) | With diff. lock | 3200-R-1500 | | A13-3235-C-1719 ⁶ |
| | | | | 1676, 1785, 1865, 1885, 2051 | | A8-3235-U-1841 |
| | | Ratios 4.30, 4.33, 4.56, 4.63, 4.88, 5.13, 5.29, 5.57, 5.86, 6.14, 6.43, 6.83, 7.17 (Except 44,000 lb. tandem axles) | With diff. lock | 1872 and 1904 | | A2-3235-D-2188 |
| | | | | All others | | KIT 2664 |
| | | Without diff. lock | 1873 | A-3235-D-2188 | | |
| | | | All others | KIT 2665 | | |
| | | Ratios 4.30, 4.33, 4.56, 4.63, 4.88, 5.13, 5.29, 5.57, 5.86, 6.14, 6.43, 6.83, 7.17 (Except 44,000 lb. tandem axles) | With diff. lock | 1558, 1849, 1879, 1904 | | A2-3235-W-1843 |
| | | | | A12-3235-R-1500 | | A8-3235-E-1721 |
| | | | Without diff. lock | 3200-M-1547 except 1.85"-36 spline | | A-3235-W-1843 |
| | | | | RS16140, RS17140, 3200-M-1547 (1.85"-36 spline) | | A-3235-Q-1941 |
| | | Ratios 4.30, 4.33, 4.56, 4.63, 4.88, 5.13, 5.29, 5.57, 5.86, 6.14, 6.43, 6.83, 7.17 (44,000 lb. tandem axles only) | With diff. lock | 3200-R-1500 | | A15-3235-E-1721 ⁶ |
| | | | | 1676, 1785, 1865, 1885 | | A8-3235-W-1843 |
| | | Without diff. lock | 3200-Z-1872, 3200-F-1904 | KIT 2648 | | |
| | | | 3200-A-1873 | KIT 2647 | | |
| 123, 129, 130, 204, 205, 206 | Case assy - main diff. | Ratios 2.64, 2.79, 2.93 | Without diff. lock | With ABS tubes | Use 1 as req. | A2-3235-N-2172 ^{5 19} |
| | | | | | | A3-3235-N-2172 ⁶ |
| | | A2-3235-M-2171 ⁵ | | | | |
| | | A3-3235-M-2171 ⁶ | | | | |
| | | A2-3235-L-2170 ^{5 19} | | | | |
| | | A3-3235-L-2170 ⁶ | | | | |
| | | A1-3235-Y-2661 ⁶ | | | | |
| Ratios 3.07 and 3.21 | Ratios 3.42, 3.58, 3.73, 3.90, 3.91, 4.10, 4.11 (except 44,000 lb.) Note: 4.33 ratio for coach quality gearing also uses this std. diff. case | A2-3235-J-2168 ⁵ | | | | |
| | | | A3-3235-J-2168 ⁶ | | | |
| Ratios 3.42, 3.58, 3.73, 3.90, 3.91, 4.10, 4.11 (44,000 lb. tandem axles only) | Ratios 4.30, 4.33, 4.56, 4.63, 4.88, 5.13, 5.29, 5.57, 5.86, 6.14, 6.43, 6.83, 7.17 (Except 44,000 lb. tandem axles) | A1-3235-K-2169 ⁶ | | | | |
| | | | | | | |
| Ratios 4.30, 4.33, 4.56, 4.63, 4.88, 5.13, 5.29, 5.57, 5.86, 6.14, 6.43, 6.83, 7.17 (44,000 lb. tandem axles only) | Ratios 2.64, 2.79, 2.93 | With diff. lock | 1558 and 1879 | Use 1 as req. | A3-3235-V-1920 ⁶ | |
| | | | | | Ratios 3.07, 3.08, 3.21 and 3.36 | A3-3235-S-1839 ^{6 19} |

5 2.00"-39 spline
19 No longer available.

6 2.10"-41 spline

CARRIERS FOR SINGLE AXLES AND REARS OF TANDEM AXLES

| ITEM | DESCRIPTION | REMARKS | CARRIER | QTY | PART NUMBER | |
|------------------------|-----------------------------|--|--------------------|------------------------------------|---------------|---------------------------------|
| 123 thru 130 (Cont) | Case & nest assy main diff. | Ratios 3.42, 3.55, 3.58, 3.70, 3.73, 3.90, 3.91, 4.10, 4.11 (Except 44,000 lb. tandem axles) Note: 4.33 ratio for coach quality gearing also uses this std. diff. case. | With diff. lock | 1558 and 1879 | Use 1 as req. | A3-3235-U-1841 ^{6 19} |
| | | Ratios 4.30, 4.33, 4.56, 4.63, 4.88, 5.13, 5.29, 5.57, 5.86, 6.14, 6.43, 6.83, 7.17 (Except 44,000 lb. tandem axles) | | | | A3-3235-W-1843 ⁶ |
| | | Ratios 2.64, 2.79, 2.93 | Without diff. lock | 1676 and 1885 | | A10-3235-V-1920 ⁵ |
| | | Ratios 3.07, 3.08, 3.21 and 3.36 | | | | A10-3235-S-1839 ⁵ |
| | | Ratios 4.30, 4.33, 4.56, 4.63, 4.88, 5.13, 5.29, 5.57, 5.86, 6.14, 6.43, 6.83, 7.17 (Except 44,000 lb. tandem axles) | | 1676, 1785, 1865 and 1885 | | A9-3235-W-1843 ⁶ |
| | | | | | | A10-3235-W-1843 ⁵ |
| | | Ratios 3.42, 3.55, 3.58, 3.70, 3.73, 3.90, 3.91, 4.10, 4.11 (Except 44,000 lb. tandem axles) Note: 4.33 ratio for coach quality gearing also uses this std. diff. case. | | 1676, 1785, 1865, 1885 | | A10-3235-U-1841 ⁵ |
| | | | | 1676, 1785, 1865, 1885, 2051 | | A9-3235-U-1841 ⁶ |
| | | Ratios 2.64, 2.79, 2.93 | | 1676, 1885, 2051 | | A9-3235-V-1920 ⁶ |
| | | Ratios 3.07, 3.08, 3.21 and 3.36 | | 1676, 1885, 2051 | | A9-3235-S-1839 ⁶ |
| | | Ratios 3.42, 3.58, 3.73, 3.90, 3.91, 4.10, 4.11 (44,000 lb. tandem axles only) | With diff. lock | 1872 and 1904 | | A11-3235-D-2188 ⁶ |
| | | Ratios 4.30, 4.33, 4.56, 4.63, 4.88, 5.13, 5.29, 5.57, 5.86, 6.14, 6.43, 6.83, 7.17 (44,000 lb. tandem axles only) | | | | A11-3235-T-2152 ⁶ |
| | | Ratios 3.42, 3.58, 3.73, 3.90, 3.91, 4.10, 4.11 (44,000 lb. tandem axles only) | Without diff. lock | 3200-A-1873 | | A10-3235-D-2188 ⁶ |
| | | Ratios 4.30, 4.33, 4.56, 4.63, 4.88, 5.13, 5.29, 5.57, 5.86, 6.14, 6.43, 6.83, 7.17 (44,000 lb. tandem axles only) | Without diff. lock | 3200-L-1676, 3200-A-1873 | | A10-3235-T-2152 ⁶ |
| | | Ratios 3.07, 3.08, 3.21 and 3.36 | Without diff. lock | 3200-M-1547 except 1.85"-36 spline | | A1-3235-S-1839 ⁶ |
| | | Ratios 3.42, 3.55, 3.58, 3.70, 3.73, 3.90, 3.91, 4.10, 4.11 (Except 44,000 lb. tandem axles) Note: 4.33 ratio for coach quality gearing also uses this std. diff. case. | | | | A1-3235-U-1841 ⁶ |
| | | Ratios 4.30, 4.33, 4.56, 4.63, 4.88, 5.13, 5.29, 5.57, 5.86, 6.14, 6.43, 6.83, 7.17 (Except 44,000 lb. tandem axles) | | | | A1-3235-W-1843 ⁶ |
| | | Ratios 2.64, 2.79, 2.93 | | 3200-M-1885 | | A18-3235-V-1920 ⁶ |
| | | Ratios 3.42, 3.55, 3.58, 3.70, 3.73, 3.90, 3.91, 4.10, 4.11 (Except 44,000 lb. tandem axles) Note: 4.33 ratio for coach quality gearing also uses this std. diff. case. | | 3200-R-1500 | | A12-3235-C-1719 ^{6 19} |

5 2.00"-39 spline
19 No longer available.

6 2.10"-41 spline

CARRIERS FOR SINGLE AXLES AND REARS OF TANDEM AXLES

| ITEM | DESCRIPTION | REMARKS | CARRIER | QTY | PART NUMBER | |
|-----------------------------|--|--|-----------------------------|---|----------------|---------------------------------|
| 123 thru 130 (Cont) | Case & nest assy main diff. | Ratios 4.30, 4.33, 4.56, 4.63, 4.88, 5.13, 5.29, 5.57, 5.86, 6.14, 6.43, 6.83, 7.17 (Except 44,000 lb. tandem axles) | Without diff. lock | 3200-R-1500 | Use 1 as req. | A14-3235-E-1721 ^{6 19} |
| | | Ratios 3.42, 3.55, 3.58, 3.70, 3.73, 3.90, 3.91, 4.10, 4.11 (Except 44,000 lb tandem axles) Note: 4.33 ratio for coach quality gearing also uses this std. diff. case. | With diff. lock | A12-3200-R-1500 | | A4-3235-C-1719 ⁶ |
| | | Ratios 4.30, 4.33, 4.56, 4.63, 4.88, 5.13, 5.29, 5.57, 5.86, 6.14, 6.43, 6.83, 7.17 (Except 44,000 lb. tandem axles) | | | | A6-3235-E-1721 ⁶ |
| | | Ratios 3.07, 3.08, 3.21 and 3.36 | | | | A3-3235-Y-1741 ¹⁹ |
| | | Ratios 3.42, 3.55, 3.58, 3.70, 3.73, 3.90, 3.91, 4.10, 4.11 (Except 44,000 lb. tandem axles) Note: 4.33 ratio for coach quality gearing also uses this std. diff. case. | Without diff. lock | RS16140, RS17140, 3200-M-1547 (1.85"-36 spline) | | A1-3235-N-1938 |
| | | | | | A1-3235-Q-1941 | |
| 123, 129, 130, 131 | Case & nest assy main diff. | Ratios 4.30, 4.33, 4.56, 4.63, 4.88, 5.13, 5.29, 5.57, 5.86, 6.14, 6.43, 6.83, 7.17 (Except 44,000 lb. tandem axles) | NoSPIN diff. | 1676, 1785, 1865, 1885 | Use 1 as req. | A12-3235-W-1843 ⁵ |
| | | | | | | A11-3235-W-1843 ⁶ |
| | | Ratios 3.42, 3.58, 3.73, 3.90, 3.91, 4.10, 4.11 (except 44,000 lb.) Note: 4.33 ratio for coach quality gearing also uses this std. diff. case | | 1676, 1785, 1865, 1885 | | A12-3235-U-1841 ^{5 19} |
| | | | | | | A11-3235-U-1841 ⁶ |
| | | Ratios 3.42, 3.58, 3.73, 3.90, 3.91, 4.10, 4.11 (44,000 lb. tandem axles only) | | 3200-A-1873 | | A4-3235-D-2188 ⁶ |
| | | Ratios 2.64, 2.79, 2.93 | | 3200-L-1676 | | A12-3235-V-1920 ⁵ |
| | | | | | | A11-3235-V-1920 ⁶ |
| | | Ratios 3.07 and 3.21 | | | | A12-3235-S-1839 ⁵ |
| | | A11-3235-S-1839 ⁶ | | | | |
| | | 3200-L-1676, 3200-A-1873 | A4-3235-T-2152 ⁶ | | | |
| 123 thru 130, 204, 205, 206 | Case & nest assy main diff. | Ratios 2.64, 2.79, 2.93 | Without diff. lock | With ABS tubes | Use 1 as req. | A6-3235-N-2172 ⁵ |
| | | | | | | A7-3235-N-2172 ⁶ |
| | | Ratios 3.07 and 3.21 | | | | A5-3235-M-2171 ⁶ |
| | | | | | | A4-3235-M-2171 ⁵ |
| | | Ratios 3.42, 3.58, 3.73, 3.90, 3.91, 4.10, 4.11 (44,000 lb. tandem axles only) | | | | |
| | | A4-3235-L-2170 ⁵ | | | | |
| | Ratios 3.42, 3.58, 3.73, 3.90, 3.91, 4.10, 4.11 (Except 44,000 lb. tandem axles) NOTE: 4.33 ratio for coach quality gearing also uses this std. diff. case | | | | | |

5 2.00"-39 spline
19 No longer available.

6 2.10"-41 spline

CARRIERS FOR SINGLE AXLES AND REARS OF TANDEM AXLES

| ITEM | DESCRIPTION | REMARKS | CARRIER | QTY | PART NUMBER |
|--|---|----------------------|--|---------------|--|
| 123 thru 130, 204, 205, 206 (Cont) | Case & nest assy main diff. Ratios 3.42, 3.58, 3.73, 3.90, 3.91, 4.10, 4.11 (Except 44,000 lb. tandem axles) NOTE: 4.33 ratio for coach quality gearing also uses this std. diff. case | Without diff. lock | With ABS tubes | Use as 1 req. | A5-3235-L-2170 ⁶ |
| | | | | Use 1 as req. | A2-3235-K-2169 ⁶ |
| | | | | | A5-3235-J-2168 ⁶ A4-3235-J-2168 ⁵ |
| 124 | Thrust washer - side gear | Not used on NoSPIN | All after 11/93 except 1.85"-36 spline | 2 | 1229-V-4624 |
| | | | All prior to 11/93 except 1.85"-36 spline | | 1229-X-4522 |
| | | | RS16140, RS17140, 3200-M-1547 (1.85"-36 spline) | | 1229-Z-3172 |
| 125 | Side gear - differential | Included in KIT 2308 | RS16140, RS17140, 3200-M-1547 (1.85"-36 spline) | 2 | 2234-T-1086 |
| | | Included in KIT 2389 | RS16140, RS17140, RS17145 after 11/93 (1.85"-36 spline) | | 2234-V-1270 ⁵ |
| | | | RS16140, RS17140, RS17145 prior to 11/93 (1.85"-36 spline) | | KIT 2758 ⁵ |
| | | Included in KIT 2310 | RS21145 and RR20145 after 11/93 | | 2234-U-1269 |
| | | | RS21145 and RR20145 prior to 11/93 | | KIT 2759 ⁶ |
| | | Included in KIT 2696 | RT44145 tandems after 11/93 | | 2234-X-1272 ⁶ |
| | | | RT44145 tandems from 1/93 to 11/93 | | KIT 2760 ⁶ |
| | | | RT44145 tandems prior to 1/93 | | KIT 2696 ⁶ |
| 126 | Thrust washer - diff. pinion | | All except 1.85"-36 spline | 4 | 1229-R-1032 |
| | | | RS16140, RS17140, 3200-M-1547 (1.85"-36 spline) | | 1229-L-1026 |
| 127 | Gear - differential pinion | | All except 1.85"-36 spline and RT44145 tandems produced after 1/93 | 4 | 2233-J-1024 |
| | | Included in KIT 2308 | RS16140, RS17140, 3200-M-1547 (1.85"-36 spline) | | 2233-M-1027 |
| | | Included in KIT 2696 | RT44145 tandems produced after 1/93 | | 2233-X-1116 |
| 128 | Spider - differential (cross) | | All except 1.85"-36 spline and RT44145 tandems produced after 1/93 | 1 | 3278-S-305 |
| | | Included in KIT 2308 | RS16140, RS17140, 3200-M-1547 (1.85"-36 spline) | | 3278-D-82 |
| | | Included in KIT 2696 | RT44145 tandems produced after 1/93 | | 3278-Y-1117F |
| 129 | Washer - main diff. case halves | | All | 16 | 1229-C-1511 |
| 130 | Capscrew - main diff. case halves | | All | 16 | 41-X-1327 |
| 130A | Thread locking liquid | | All | as req. | 2297-C-7049 |

CARRIERS FOR SINGLE AXLES AND REARS OF TANDEM AXLES

| ITEM | DESCRIPTION | REMARKS | CARRIER | QTY | PART NUMBER |
|------|--|---|--|-----|-----------------------------|
| 131 | NoSPIN diff. nest assembly | Serviced as assy. only. Replaces Items 124-128 | 3200-M-1547 (1.85"-36 spline) | 1 | A-3230-V-1036 |
| | | | RS16140, RS17140, RR17145, (except 3200-M-1547 1.85"-36 spline) | | A2-3230-U-1035 ⁵ |
| | | | RS21145, RR20145 and RR22145 | | A-3230-T-1034 ⁶ |
| 131A | Cover - special carrier - w/o diff. lock | Without diff. lock | 3200-R-1500 | 1 | 3266-M-897 |
| 131B | Washer - cover - w/o diff. lock | | | 4 | MWA-508 |
| 131C | Capscrew - cover - w/o diff. lock | | | 1 | 41-X-1080 |

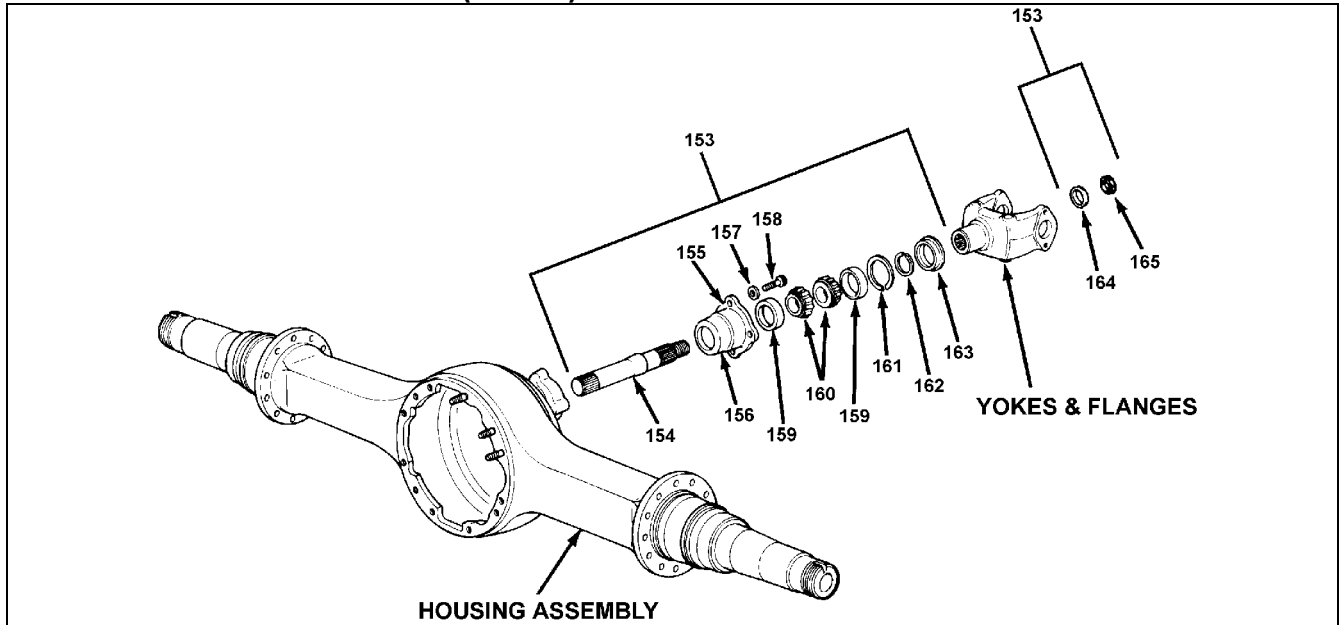
Note: The following parts are used only on rear carriers with main differential lock.

| | | | | | |
|------|-----------------------------------|-----------------------|------------------------------|---|-------------|
| 132 | Lock plate - adjusting ring R.H. | | 3200-R-1500 | 1 | 1220-K-89 |
| 133 | Washer - lock plate | | | 2 | MWA-508 |
| 134 | Capscrew - lock plate | | | 2 | MS-208020-1 |
| 135 | Clutch collar - main diff. lock | | 1558, 1872, 1879 and 1904 | 1 | 3107-D-1018 |
| | | | 3200-R-1500 | | 3107-R-1006 |
| 136 | Shift fork | Old 1 pc. design | 1558 and 1872 | 1 | 3296-W-1167 |
| | | New 1 pc. design | 1879 and 1904 | | 3296-Z-1170 |
| | | Original 3 pc. design | 3200-R-1500 | | 3296-F-188 |
| 137 | Pins - shift fork | Original design | All | 2 | 43-X-1007 |
| 138 | Spring - main diff. lock | | 1500, 1558 and 1872 | 1 | 2258-L-714 |
| | | | 1879 and 1904 | | 2258-N-1262 |
| 139 | Shift shaft - main diff. lock | | 1558 and 1872 | 1 | 2244-L-1026 |
| | | | 1879 and 1904 | | 2244-V-1114 |
| | | | 3200-R-1500 | | 2244-Z-52 |
| 140 | Pin - spring retaining | Original design | All | 1 | 43-X-1006 |
| 141 | Tube - air cylinder | | All bolt-on designs | 1 | 3196-F-32 |
| 142 | Piston - air cylinder | | Bolt-on shifter | 1 | 2230-N-170 |
| | | | Screw-in shifter | | 2230-T-1190 |
| 143 | O-Ring - piston | | Bolt-on shifter | 1 | 5-X-1153 |
| | | | Screw-in shifter | | 5X-1198 |
| 144 | Gasket - air cylinder cover | | | 1 | 2208-H-944 |
| 145 | Capscrew - manual engaging | | 1558 and 1872 | 1 | 41-X-1330 |
| | | | 1879 and 1904 | | 41-X-1368 |
| | | | 3200-R-1500 | | 41-X-1333 |
| 145A | O-ring - manual engaging capscrew | | | 1 | 5-X-521 |
| 146 | Cover - air cylinder | | All bolt-on designs | 1 | 3266-F-1020 |
| 146A | Shift cylinder assembly | | Screw-in design | 1 | 3261-A-1067 |
| 147 | Capscrew - air cylinder cover | | 1558 and 1872 | 4 | 41-X-1359 |
| | | | 3200-R-1500 | | 41-X-1364 |
| 148 | Washer - air cylinder cover | | All bolt-on designs | 4 | MWA-506 |
| 149 | Gasket - plug | | | 1 | 2208-L-1000 |
| 150 | Plug - air cylinder cover | | | 1 | MS-210016-1 |
| 151 | Sensor/switch - main diff. lock | Includes Item 151A | All | 1 | KIT 4455 |
| 151A | Clip - sensor/switch | | | 1 | 2257-M-1235 |
| 152 | Nut - sensor/switch | | 1500, 1558 and 1872 | 1 | 1227-P-1056 |

Note: The following parts are used only on rear carriers with internally mounted anti-lock brake system sensors.

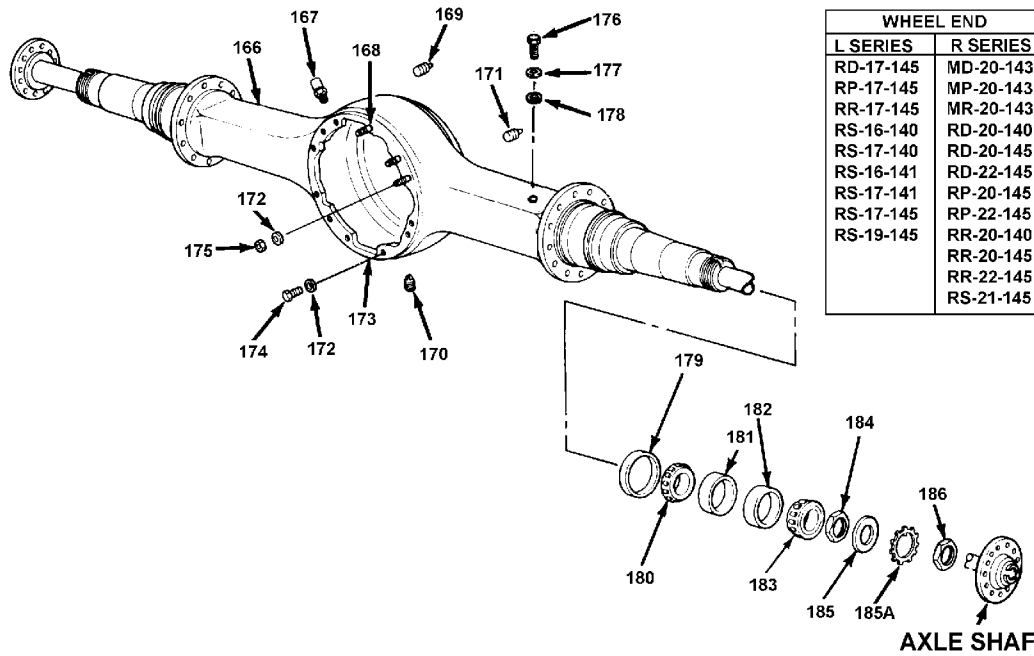
| | | | | | |
|-----|----------------------------|-----------|--------------|---|----------------|
| 200 | Wave washer | | | 2 | 2258-U-1243 |
| 201 | Snap ring | | | 2 | 1229-B-4422 |
| 202 | Snap ring | | | 2 | 1229-U-4519 |
| 203 | Sensor assembly | | | 2 | A1-3280-U-8861 |
| 204 | Sensor - drive tube | 39 spline | Use KIT 2511 | 2 | 3216-S-4361 |
| | | 41 spline | Use KIT 2512 | | 3216-Q-4359 |
| 205 | Washer - tube spacing | | | 2 | 42-X-1248 |
| 206 | Snap ring - tube retaining | | | 2 | 1229-H-4428 |

OUTPUT (THRU) SHAFT ASSEMBLY PARTS



| ITEM | DESCRIPTION | REMARKS | AXLE MODEL | QTY | PART NUMBER | | |
|----------------------|---|--|--|----------------------|----------------------------|---|---------------|
| 153 | Output (thru) shaft, bearing cage and seal assembly | (Includes Items 154, 156, 159, 160, 161, 162, 163, 164, 165) | All | 1 | A1-3226-T-1112 | | |
| 154 | Shaft - output (thru) | | All others | 1 | 3297-E-1019 | | |
| | | | Original design 140 tandem | 1 | 3297-N-1158 | | |
| 155 | Silastic gasket | 3 oz. tube | All | 1 | 2297-A-7021 | | |
| 156 | Bearing cage and inner cup assembly - output | | All others | 1 | A-3226-T-1112 | | |
| | | | Original design 140 tandem | 1 | A1-3226-T-1112 | | |
| 157 | Washer - output bearing cage | | All | 4 | 1229-K-1597 | | |
| 158 | Capscrew - output bearing cage | | All | 4 | 15-X-387 | | |
| 159 | Cup - inner and outer output bearing | | All others | 2 | JLM-104910 | | |
| | | | Original design 140 tandem | 2 | LM-603011 | | |
| 160 | Cone - inner and outer output bearing | | All others | 2 | LM-104949 | | |
| | | | Original design 140 tandem | 2 | LM-603049 | | |
| 161 | Snap ring spacer - output bearing (variable thickness) (Spacer kits are available to service these assemblies) KIT 530 is used for the original design 140 tandem. KIT 576 is used for all other models in this catalog | 3.94mm/.155 inch | All others | 1 | 1229-P-2590 | | |
| | | | Original design 140 tandem | 1 | 1229-A-2237 | | |
| | | 4.01mm/.158 inch | All others | 1 | 1229-P-2591 | | |
| | | | Original design 140 tandem | 1 | 1229-B-2238 | | |
| | | 4.09mm/.161 inch | All others | 1 | 1229-R-2592 | | |
| | | | Original design 140 tandem | 1 | 1229-C-2239 | | |
| | | 4.17mm/.164 inch | All others | 1 | 1229-S-2593 | | |
| | | | Original design 140 tandem | 1 | 1229-D-2240 | | |
| | | 4.24mm/.167 inch | All others | 1 | 1229-T-2594 | | |
| | | | Original design 140 tandem | 1 | 1229-E-2241 | | |
| | | 4.32mm/.170 inch | All others | 1 | 1229-U-2595 | | |
| | | | Original design 140 tandem | 1 | 1229-F-2242 | | |
| | | 4.39mm/.173 inch | All others | 1 | 1229-V-2596 | | |
| | Original design 140 tandem | 1 | 1229-G-2243 | | | | |
| 161 | Snap ring spacer - output bearing (variable thickness) (Spacer kits are available to service these assemblies) KIT 530 is used for the original design 140 tandem. KIT 576 is used for all other models in this catalog | 4.47mm/.176 inch | All others | 1 | 1229-W-2597 | | |
| | | | Original design 140 tandem | 1 | 1229-H-2244 | | |
| | | 4.55mm/.179 inch | All others | 1 | 1229-X-2598 | | |
| | | | Original design 140 tandem | 1 | 1229-J-2246 | | |
| | | 4.62mm/1.82 inch | All others | 1 | 1229-Y-2599 | | |
| | | | Original design 140 tandem | 1 | 1229-K-2247 | | |
| | | 162 | Snap ring spacer - output bearing/yoke | | All others | 1 | 1229-W-4131 |
| | | | | | Original design 140 tandem | 1 | 1829-A-859 |
| | | 163 | Oil seal - output bearing cage | | All others | 1 | A-1205-P-2590 |
| | | | | | Original design 140 tandem | 1 | A-1205-G-2425 |
| | | 164 | Washer - output yoke and shaft | Included in KIT 2636 | Original design 140 tandem | 1 | 1229-A-2653 |
| | | | | Included in KIT 2637 | All others | 1 | 1229-T-1736 |
| | | 165 | Nut - output yoke and shaft | Included in KIT 2636 | Original design 140 tandem | 1 | 40-X-1236 |
| Included in KIT 2637 | All others | | | 1 | 40-X-1237 | | |

HOUSING ASSEMBLY PARTS



| ITEM | DESCRIPTION | REMARKS | AXLE MODEL | QTY | PART NUMBER |
|-----------|--------------------------------------|---|------------------------------------|-----|---------------|
| 167 | Breather assembly | | All | 1 | A-1199-P-1394 |
| 168 | Stud - housing to carrier | | All forward carriers | 2 | 4-X-1837 |
| 169 | Plug - heat indicator | | All | 1 | P-28S |
| 170 | Plug - magnetic oil drain and fill | | All | 1 | 1250-E-473 |
| 171 | Plug - non-magnetic oil fill | | All | 1 | P-212 |
| 172 | Washer - carrier to housing | | All | 12 | 1229-U-1503 |
| 173 | Silastic gasket - housing to carrier | | All | 1 | 2297-A-7021 |
| 174 | Capscrew - carrier to housing | | All forward carriers | 3 | S-21022-2 |
| | | | | 7 | 10-X-1594 |
| | | | All other single and rear carriers | 8 | 10-X-1594 |
| | | | | 4 | S-21020-2 |
| | | | RR22145, RR21145 | 9 | 10-X-1594 |
| | | | | 4 | S-21016-2 |
| 175 | Nut - carrier to housing stud | | All forward carriers | 2 | N-110-1 |
| 176 | Capscrew - brake line bracket | | All | 2 | S-258-2 |
| 177 | Gasket - brake line bracket | | All others | 2 | 2208-P-536 |
| | | | RS16140, RS17140, RS19145, RS21145 | 4 | 2208-P-536 |
| | | | | | |
| 178 | Washer - brake line bracket | | All others | 2 | 1229-E-1669 |
| | | | RS16140, RS17140, RS19145, RS21145 | 4 | 1229-E-1669 |
| | | | | | |
| 179 | Oil seal - wheel end | | "L" wheel end | 2 | A-1205-W-1349 |
| | | | "R" wheel end | 2 | A-1205-Q-2487 |
| 180 | Cone - wheel bearing (inner) | | "L" wheel end | 2 | 47686 |
| | | | "R" wheel end | 2 | 594A |
| 181 | Cup - wheel bearing (inner) | | "L" wheel end | 2 | 47620 |
| | | | "R" wheel end | 2 | 592A |
| 182 | Cup - wheel bearing (outer) | | "L" wheel end | 2 | 39520 |
| | | | "R" wheel end | 2 | 572 |
| 183 | Cone - wheel bearing (outer) | | "L" wheel end | 2 | 39590 |
| | | | "R" wheel end | 2 | 580 |
| 184 | Nut - wheel bearing (inner) | | "L" wheel end | 2 | 1227-Z-1040 |
| | | | "R" wheel end | 2 | 1227-W-517 |
| 185, 185A | Lock washer and tanged lock washer | Must purchase kit which includes both items | "L" wheel end | 2 | KIT 2761 |
| | | | "R" wheel end | 2 | 1229-F-4634S |
| 186 | Nut - wheel bearing (outer) | | "L" wheel end | 2 | 1227-E-1045 |
| | | | "R" wheel end | 2 | 1227-R-330 |

AXLE SHAFT SETS FOR 140, 141, 143 & 145 SERIES AXLES

| LEFT HAND | RIGHT HAND |
|-----------|------------|
|-----------|------------|

RS-16-140 Single Axle

| | |
|-------------|-------------|
| 3202-G-9601 | 3202-J-9604 |
|-------------|-------------|

RS-16-141 Single Axle

| | |
|-------------|-------------|
| 3202-X-9046 | 3202-Y-9047 |
| 3202-C-9597 | 3202-E-9599 |

RS-17-140 Single Axle

| | |
|------------------|-----------------------|
| 3202-X-9046 | 3202-Y-9047 |
| 3202-B-9050 | 3202-C-9051 |
| 3202-Y-9281 (15) | 3202-Z-9282 (15) (19) |

RS-17-145 Single Axle

| | |
|-------------|-------------|
| 3202-X-9046 | 3202-Y-9047 |
|-------------|-------------|

RS-19-145 Single Axle

| | |
|-------------|-------------|
| 3202-X-9046 | 3202-Y-9047 |
| 3202-C-9597 | 3202-E-9599 |

RS-21-145 Single Axle

| | |
|-------------|------------------|
| 3202-Q-9117 | 3202-R-9118 |
| 3202-F-9340 | 3202-G-9341 |
| 3202-S-9041 | 3202-T-9042 |
| 3202-S-9483 | 3202-T-9484 |
| 3202-H-9628 | 3202-K-9631 |
| 3202-S-9041 | 3202-U-9043 (16) |
| 3202-Q-9117 | 3202-S-9119 (16) |
| 3202-F-9340 | 3202-H-9342 (16) |
| 3202-S-9483 | 3202-U-9485 (16) |
| 3202-Q-9845 | 3202-S-9847 (16) |

RD-17-140 Forward Axle of RT-34-140 Tandem

| | |
|-------------|-------------|
| 3202-Y-9047 | 3202-X-9046 |
| 3202-E-9599 | 3202-C-9597 |

RR-17-140 Rear Axle of RT-34-140 Tandem

| | |
|-------------|-------------|
| 3202-X-9046 | 3202-Y-9047 |
| 3202-C-9597 | 3202-E-9599 |

RD-17-145 Forward Axle of RT-34-145 Tandem

| | |
|-------------|-------------|
| 3202-Y-9047 | 3202-X-9046 |
| 3202-E-9599 | 3202-C-9597 |

RR-17-145 Rear Axle of RT-34-145 Tandem

| | |
|-------------|-------------|
| 3202-X-9046 | 3202-Y-9047 |
| 3202-C-9597 | 3202-E-9599 |

| LEFT HAND | RIGHT HAND |
|-----------|------------|
|-----------|------------|

MD-20-143 Forward Axle of MT-40-143 Tandem

| | |
|-------------|-------------|
| 3202-S-9483 | 3202-U-9485 |
| 3206-T-1346 | 3206-U-1347 |
| 3206-W-1349 | 3206-Y-1351 |
| 3206-C-1563 | 3206-X-1740 |
| 3206-F-1748 | 3206-G-1749 |
| 3206-C-1823 | 3206-D-1824 |
| 3206-M-1885 | 3206-P-1888 |

MP-20-143 Forward Axle of MT-40-143 Tandem (w/Pump)

| | |
|-------------|-------------|
| 3206-W-1349 | 3206-Y-1351 |
|-------------|-------------|

MR-20-143 Rear Axle of MT-40-143 Tandem

| | |
|-------------|-------------|
| 3206-T-1346 | 3206-U-1347 |
| 3206-W-1349 | 3206-Y-1351 |
| 3206-C-1563 | 3206-X-1740 |
| 3206-F-1748 | 3206-G-1749 |
| 3206-C-1823 | 3206-D-1824 |
| 3206-M-1885 | 3206-P-1888 |

RD-20-140 Forward Axle of RT-40-140 Tandem

| | |
|-------------|-------------|
| 3202-R-9118 | 3202-Q-9117 |
| 3202-G-9341 | 3202-F-9340 |
| 3202-T-9042 | 3202-S-9041 |
| 3202-T-9484 | 3202-S-9483 |

RR-20-140 Rear Axle of RT-40-140 Tandem

| | |
|-------------|-------------|
| 3202-Q-9117 | 3202-R-9118 |
| 3202-F-9340 | 3202-G-9341 |
| 3202-S-9041 | 3202-T-9042 |
| 3202-S-9483 | 3202-T-9484 |

RD-20-145 Forward Axle of RT-40-145 Tandem

| | |
|------------------|------------------|
| 3202-R-9118 | 3202-Q-9117 |
| 3202-G-9341 | 3202-F-9340 |
| 3202-T-9042 | 3202-S-9041 |
| 3202-Y-9463 | 3202-W-9461 |
| 3202-T-9484 | 3202-S-9483 |
| 3202-Q-9611 | 3202-N-9608 |
| 3202-U-9615 | 3202-W-9617 |
| 3202-K-9631 | 3202-H-9628 |
| 3206-S-1345 (17) | 3206-Q-1343 (17) |
| 3206-U-1347 (17) | 3206-T-1346 (17) |
| 3206-Y-1351 (17) | 3206-W-1349 (17) |
| 3206-A-1353 (17) | 3206-Z-1352 (17) |
| 3202-U-9043 (16) | 3202-S-9041 |
| 3202-S-9119 (16) | 3202-Q-9117 |
| 3202-H-9342 (16) | 3202-F-9340 |
| 3202-U-9485 (16) | 3202-S-9483 |
| 3202-R-9638 (16) | 3202-W-9461 |

(15) These shafts are for original design 1.85"-36 spline.

(17) Not for use with main diff. lock or No-SPIN units.

(16) This shaft has longer splines that engage the differential lock.

(19) No longer available.

AXLE SHAFT SETS FOR 140, 141, 143 & 145 SERIES AXLES (Cont.)

| LEFT HAND | RIGHT HAND |
|-----------|------------|
|-----------|------------|

RP-20-145 Fwd Axle of RT-40-145 Tandem (w/Pump)

| | |
|------------------|------------------|
| 3202-R-9118 | 3202-Q-9117 |
| 3202-G-9341 | 3202-F-9340 |
| 3202-T-9042 | 3202-S-9041 |
| 3202-T-9484 | 3202-S-9483 |
| 3202-Q-9611 | 3202-N-9608 |
| 3202-U-9615 | 3202-W-9617 |
| 3202-K-9631 | 3202-H-9628 |
| 3206-S-1345 (17) | 3206-Q-1343 (17) |
| 3206-U-1347 (17) | 3206-T-1346 (17) |
| 3206-Y-1351 (17) | 3206-W-1349 (17) |
| 3206-A-1353 (17) | 3206-Z-1352 (17) |
| 3202-U-9043 (16) | 3202-S-9041 |
| 3202-S-9119 (16) | 3202-Q-9117 |
| 3202-H-9342 (16) | 3202-F-9340 |
| 3202-U-9485 (16) | 3202-S-9483 |
| 3202-S-9613 (16) | 3202-N-9608 |

RR-20-145 Rear Axle of RT-40-145 Tandem

| | |
|------------------|------------------|
| 3202-Q-9117 | 3202-R-9118 |
| 3202-F-9340 | 3202-G-9341 |
| 3202-S-9041 | 3202-T-9042 |
| 3202-W-9461 | 3202-Y-9463 |
| 3202-S-9483 | 3202-T-9484 |
| 3202-N-9608 | 3202-Q-9611 |
| 3202-W-9617 | 3202-U-9615 |
| 3202-H-9628 | 3202-K-9631 |
| 3206-Q-1343 (17) | 3206-S-1345 (17) |
| 3206-T-1346 (17) | 3206-U-1347 (17) |
| 3206-W-1349 (17) | 3206-Y-1351 (17) |
| 3206-Z-1352 (17) | 3206-A-1353 (17) |
| 3202-S-9041 | 3202-U-9043 (16) |
| 3202-Q-9117 | 3202-S-9119 (16) |
| 3202-F-9340 | 3202-H-9342 (16) |
| 3202-S-9483 | 3202-U-9485 (16) |
| 3202-W-9461 | 3202-R-9638 (16) |

| LEFT HAND | RIGHT HAND |
|-----------|------------|
|-----------|------------|

RD-20-146 Forward Axle of RT-40-146 Tandem

| | |
|-------------|-------------|
| 3202-R-9118 | 3202-Q-9117 |
|-------------|-------------|

RP-20-146 Forward Axle of RT-40-146 Tandem (w/Pump)

| | |
|-------------|-------------|
| 3202-R-9118 | 3202-Q-9117 |
|-------------|-------------|

RR-20-146 Rear Axle of RT-40-146 Tandem

| | |
|-------------|-------------|
| 3202-Q-9117 | 3202-R-9118 |
|-------------|-------------|

RD-22-145 Forward Axle of RT-44-145 Tandem

| | |
|------------------|-------------|
| 3202-R-9118 | 3202-Q-9117 |
| 3202-G-9341 | 3202-F-9340 |
| 3202-T-9042 | 3202-S-9041 |
| 3202-T-9484 | 3202-S-9483 |
| 3202-U-9043 (16) | 3202-S-9041 |
| 3202-H-9342 (16) | 3202-F-9340 |
| 3202-U-9485 (16) | 3202-S-9483 |

RP-22-145 Forward Axle of RT-44-145 Tandem (w/Pump)

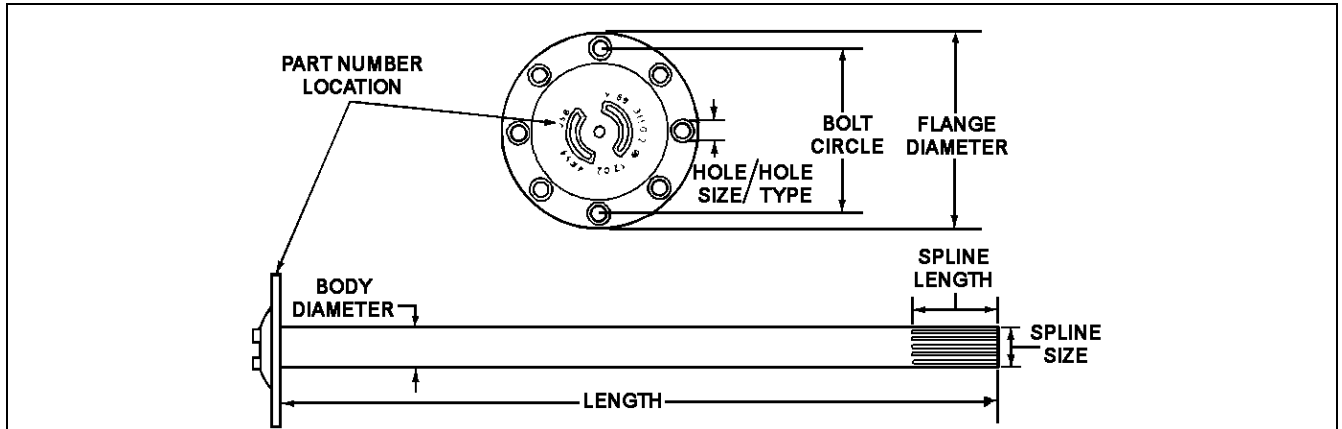
| | |
|------------------|-------------|
| 3202-R-9118 | 3202-Q-9117 |
| 3202-G-9341 | 3202-F-9340 |
| 3202-T-9042 | 3202-S-9041 |
| 3202-T-9484 | 3202-S-9483 |
| 3202-U-9043 (16) | 3202-S-9041 |
| 3202-S-9119 (16) | 3202-Q-9117 |
| 3202-U-9485 (16) | 3202-S-9483 |

RR-22-145 Rear Axle of RT-44-145 Tandem

| | |
|-------------|------------------|
| 3202-S-9041 | 3202-T-9042 |
| 3202-Q-9117 | 3202-R-9118 |
| 3202-F-9340 | 3202-G-9341 |
| 3202-S-9483 | 3202-T-9484 |
| 3202-S-9041 | 3202-U-9043 (16) |
| 3202-F-9340 | 3202-H-9342 (16) |
| 3202-S-9483 | 3202-U-9485 (16) |
| 3202-Q-9117 | 3202-S-9119 (16) |

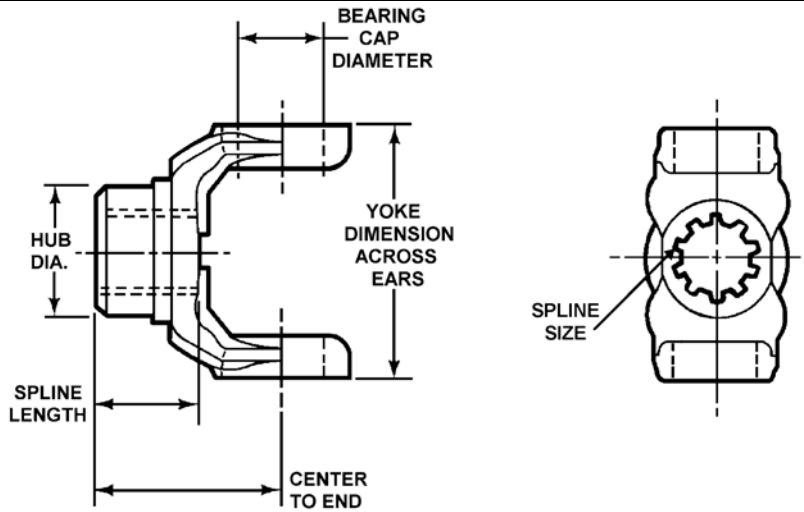
- (16) This shaft has longer splines that engage the differential lock.
- (17) Not for use with main diff. lock or No-SPIN units.

AXLE SHAFTS



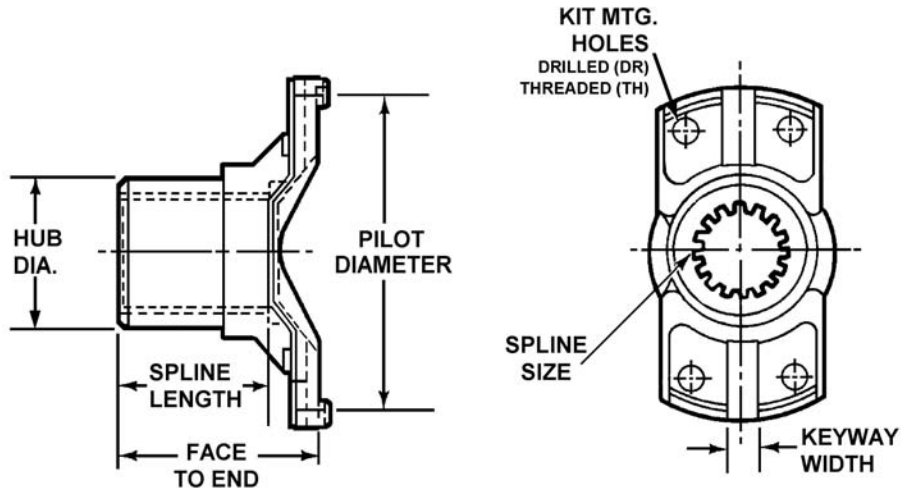
| Part Number | Body Dia. | Length | Spline Size | Spline Len. | Flange Dia. | No. of Holes | Hole Size | Bolt Circle | Hole Type |
|-------------|-----------|--------|-------------|-------------|-------------|--------------|-----------|-------------|-----------|
| 3202-G-9601 | 1.62" | 37.51" | 2.00"-39 | 2.88" | 6.25" | 12 | .50" | 5.25" | Taper |
| 3202-J-9604 | 1.62" | 43.54" | 2.00"-39 | 2.88" | 6.25" | 12 | .50" | 5.25" | Taper |
| 3202-B-9050 | 1.75" | 37.87" | 1.85"-36 | 2.60" | 6.25" | 12 | .50" | 5.25" | Taper |
| 3202-Y-9281 | 1.75" | 38.21" | 1.85"-36 | 2.60" | 6.25" | 12 | .50" | 5.25" | Taper |
| 3202-C-9051 | 1.75" | 43.89" | 1.85"-36 | 2.60" | 6.25" | 12 | .50" | 5.25" | Taper |
| 3206-F-1748 | 1.88" | 35.75" | 2.10"-41 | 2.88" | 8.38" | 8 | .73" | 7.00" | Taper |
| 3206-M-1885 | 1.88" | 35.86" | 2.10"-41 | 2.88" | 7.93" | 12 | .59" | 6.75" | Taper |
| 3206-Z-1352 | 1.88" | 37.06" | 2.10"-41 | 2.88" | 8.38" | 8 | .73" | 7.00" | Taper |
| 3206-W-1349 | 1.88" | 37.06" | 2.10"-41 | 2.88" | 8.38" | 8 | .78" | 7.00" | Straight |
| 3202-C-9597 | 1.88" | 37.45" | 2.00"-39 | 2.88" | 6.43" | 8 | .63" | 5.50" | Straight |
| 3202-X-9046 | 1.88" | 37.63" | 2.00"-39 | 2.88" | 6.25" | 12 | .50" | 5.25" | Taper |
| 3206-T-1346 | 1.88" | 37.92" | 2.10"-41 | 2.88" | 8.38" | 8 | .64" | 7.00" | Straight |
| 3206-Q-1343 | 1.88" | 37.92" | 2.10"-41 | 2.88" | 8.38" | 8 | .73" | 7.00" | Taper |
| 3206-G-1749 | 1.88" | 41.70" | 2.10"-41 | 2.88" | 8.38" | 8 | .73" | 7.00" | Taper |
| 3206-P-1888 | 1.88" | 41.75" | 2.10"-41 | 2.88" | 7.93" | 12 | .59" | 6.75" | Taper |
| 3206-A-1353 | 1.88" | 43.01" | 2.10"-41 | 2.88" | 8.38" | 8 | .73" | 7.00" | Taper |
| 3206-Y-1351 | 1.88" | 43.01" | 2.10"-41 | 2.88" | 8.38" | 8 | .78" | 7.00" | Straight |
| 3202-E-9599 | 1.88" | 43.36" | 2.00"-39 | 2.88" | 6.43" | 8 | .63" | 5.50" | Straight |
| 3202-Y-9047 | 1.88" | 43.54" | 2.00"-39 | 2.88" | 6.25" | 12 | .50" | 5.25" | Taper |
| 3206-U-1347 | 1.88" | 43.87" | 2.10"-41 | 2.88" | 8.38" | 8 | .64" | 7.00" | Straight |
| 3206-S-1345 | 1.88" | 43.87" | 2.10"-41 | 2.88" | 8.38" | 8 | .73" | 7.00" | Taper |
| 3202-Q-9845 | 2.00" | 34.76" | 2.10"-41 | 2.88" | 8.38" | 8 | .73" | 7.00" | Taper |
| 3202-S-9847 | 2.00" | 35.60" | 2.10"-41 | 8.12" | 8.38" | 8 | .73" | 7.00" | Taper |
| 3206-C-1563 | 2.00" | 35.70" | 2.10"-41 | 2.88" | 8.38" | 8 | .73" | 7.00" | Taper |
| 3206-C-1823 | 2.00" | 35.73" | 2.10"-41 | 2.88" | 8.38" | 12 | .59" | 6.75" | Taper |
| 3202-F-9340 | 2.00" | 37.18" | 2.10"-41 | 2.88" | 8.38" | 8 | .73" | 7.00" | Taper |
| 3202-Q-9117 | 2.00" | 37.18" | 2.10"-41 | 2.88" | 8.38" | 8 | .78" | 7.00" | Straight |
| 3202-S-9483 | 2.00" | 38.04" | 2.10"-41 | 2.88" | 8.38" | 8 | .64" | 7.00" | Straight |
| 3202-S-9041 | 2.00" | 38.04" | 2.10"-41 | 2.88" | 8.38" | 8 | .73" | 7.00" | Taper |
| 3202-H-9628 | 2.00" | 38.14" | 2.10"-41 | 2.88" | 8.38" | 8 | .73" | 7.00" | Taper |
| 3202-W-9617 | 2.00" | 40.00" | 2.10"-41 | 2.88" | 8.38" | 8 | .78" | 7.00" | Straight |
| 3202-W-9461 | 2.00" | 40.73" | 2.10"-41 | 2.88" | 8.38" | 8 | .64" | 7.00" | Straight |
| 3202-N-9608 | 2.00" | 40.85" | 2.10"-41 | 2.88" | 8.38" | 8 | .73" | 7.00" | Taper |
| 3206-X-1740 | 2.00" | 41.49" | 2.10"-41 | 2.88" | 8.38" | 8 | .73" | 7.00" | Taper |
| 3206-D-1824 | 2.00" | 41.68" | 2.10"-41 | 2.88" | 8.38" | 12 | .59" | 6.75" | Taper |
| 3202-K-9631 | 2.00" | 42.43" | 2.10"-41 | 2.88" | 8.38" | 8 | .73" | 7.00" | Taper |
| 3202-G-9341 | 2.00" | 43.13" | 2.10"-41 | 2.88" | 8.38" | 8 | .73" | 7.00" | Taper |
| 3202-R-9118 | 2.00" | 43.13" | 2.10"-41 | 2.88" | 8.38" | 8 | .78" | 7.00" | Straight |
| 3202-X-9488 | 2.00" | 43.13" | 2.10"-41 | 8.12" | 8.38" | 8 | .64" | 7.00" | Straight |
| 3202-H-9342 | 2.00" | 43.13" | 2.10"-41 | 8.12" | 8.38" | 8 | .73" | 7.00" | Taper |
| 3202-S-9119 | 2.00" | 43.13" | 2.10"-41 | 8.12" | 8.38" | 8 | .78" | 7.00" | Straight |
| 3202-U-9043 | 2.00" | 43.80" | 2.10"-41 | 8.12" | 8.38" | 8 | .73" | 7.00" | Taper |
| 3202-T-9484 | 2.00" | 43.99" | 2.10"-41 | 2.88" | 8.38" | 8 | .64" | 7.00" | Straight |
| 3202-T-9042 | 2.00" | 43.99" | 2.10"-41 | 2.88" | 8.38" | 8 | .73" | 7.00" | Taper |
| 3202-U-9485 | 2.00" | 44.00" | 2.10"-41 | 8.12" | 8.38" | 8 | .64" | 7.00" | Straight |
| 3202-U-9615 | 2.00" | 45.94" | 2.10"-41 | 2.88" | 8.38" | 8 | .78" | 7.00" | Straight |
| 3202-Y-9619 | 2.00" | 45.94" | 2.10"-41 | 8.12" | 8.38" | 8 | .78" | 7.00" | Straight |
| 3202-Y-9463 | 2.00" | 46.80" | 2.10"-41 | 2.88" | 8.38" | 8 | .64" | 7.00" | Straight |
| 3202-Q-9611 | 2.00" | 46.80" | 2.10"-41 | 2.88" | 8.38" | 8 | .73" | 7.00" | Taper |
| 3202-R-9638 | 2.00" | 46.80" | 2.10"-41 | 8.12" | 8.38" | 8 | .64" | 7.00" | Straight |
| 3202-S-9613 | 2.00" | 46.80" | 2.10"-41 | 8.12" | 8.38" | 8 | .73" | 7.00" | Taper |

ROUND BEARING TYPE YOKES



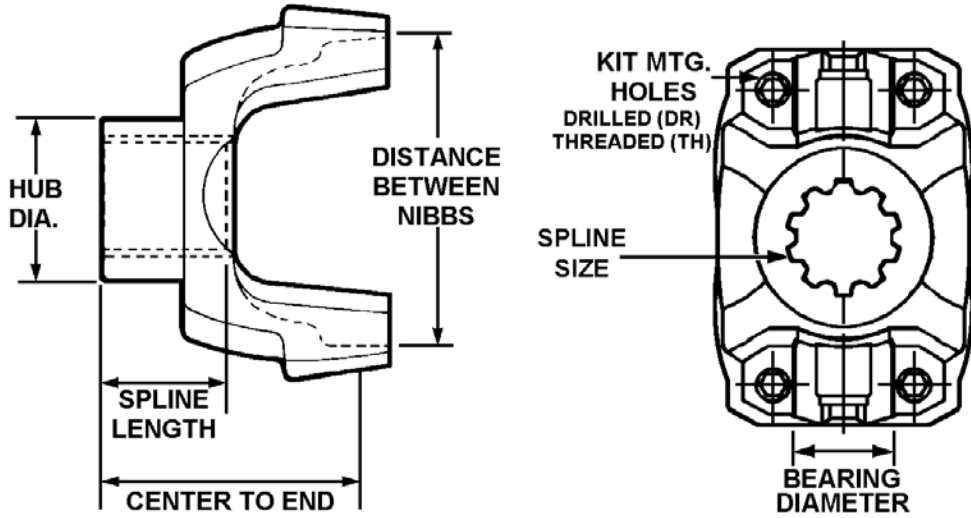
| Axle Model (Location) | Center to End | Spline Length | Hub Dia. | Bearing Cap Diameter | Yoke Dimension Across Ears | Spline Size Dia. - No. Teeth | Part Number | Production Part Number |
|--|--|---------------|----------|--|--|------------------------------|---|---|
| RS-16-140 RS-17-140 (Input) | 4.88" | 2.25" | 2.50" | 1.88" 1.94" | 5.31" 6.09" | 1.75"-34 | 16N-4-5621X 17NYS28-43A | A-3280-Q-7115 A-3260-H-8 |
| RS-16-141 RS-17-141 RS-19-145 RS-21-145 (Input) | 5.54" 6.22" 5.19" 5.16" 6.25" 5.19" | 2.31" | 3.00" | 1.88" 1.88" 1.94" 1.94" 1.94" 1.94" | 5.31" 5.31" 7.00" 6.09" 6.09" 7.55" | 2.00"-39 | 16N-4-6281X 16N-4-6291X 176NYS32-3A2 17NYS32-100A 17N-4-6391X 18NYS32-12A3 | A-3260-G-111 A-3260-H-112 A2-3260-K-115 A1-3260-P-120 A3-3260-L-116 |
| RT-34-140 RT-40-140 MT-40-143 RT-34-145 RT-40-145 RT-44-145 (Fwd. Input) | 5.54" 6.22" 5.19" 5.16" 6.25" 5.19" | 2.31" | 3.00" | 1.88" 1.88" 1.94" 1.94" 1.94" 1.94" | 5.31" 5.31" 7.00" 6.09" 6.09" 7.55" | 2.00"-39 | 16N-4-6281X 16N-4-6291X 176N-4-541X 17N-4-6411X 17NYS32-99A 18NYS32-12A3 | A-3260-G-111 A-3260-H-112 A-3260-K-115 A-3260-Q-121 A3-3260-L-116 |
| (Fwd. Output) (Original Design 140 Tandem) | 4.94" 5.38" 5.06" 5.16" | 2.32" | 3.25" | 1.88" 1.94" 1.94" 1.94" | 5.31" 6.09" 7.00" 7.55" | 2.38"-46 | 16NYS38-8A 17N-4-7181X 176NYS38-14A 18NYS38-27A | A-3260-T-1034 A-3260-U-359 A-3260-V-360 |
| (Fwd. Output) (All Others) | 6.03" 5.44" 5.97" 4.88" | 2.25" | 2.50" | 1.88" 1.88" 1.94" 1.94" | 5.31" 5.31" 6.09" 6.09" | 1.75"-34 | 16N-4-6251 16N-4-6261 17N-4-6321 17N-4-6331 | 3260-U-125 3260-T-124 3260-W-127 3260-V-126 |
| (Rear Input) | 5.19" 5.16" 6.25" | 2.31" | 3.00" | 1.94" 1.94" 1.94" | 7.00" 6.09" 6.09" | 2.00"-39 | 176N-4-531 17NYS32-100 17NYS32-99 | 3260-K-115 |
| (Rear Input) | 5.54" 6.22" 5.19" 5.16" 6.25" | 2.31" | 3.00" | 1.88" 1.88" 1.94" 1.94" 1.94" | 5.31" 5.31" 7.00" 6.09" 6.09" | 2.00"-39 | 16N-4-6281X 16N-4-6291X 176NYS32-3A2 17NYS32-100A 17N-4-6391X | A-3260-G-111 A-3260-H-112 A2-3260-K-115 A1-3260-P-120 |

WING BEARING TYPE YOKES



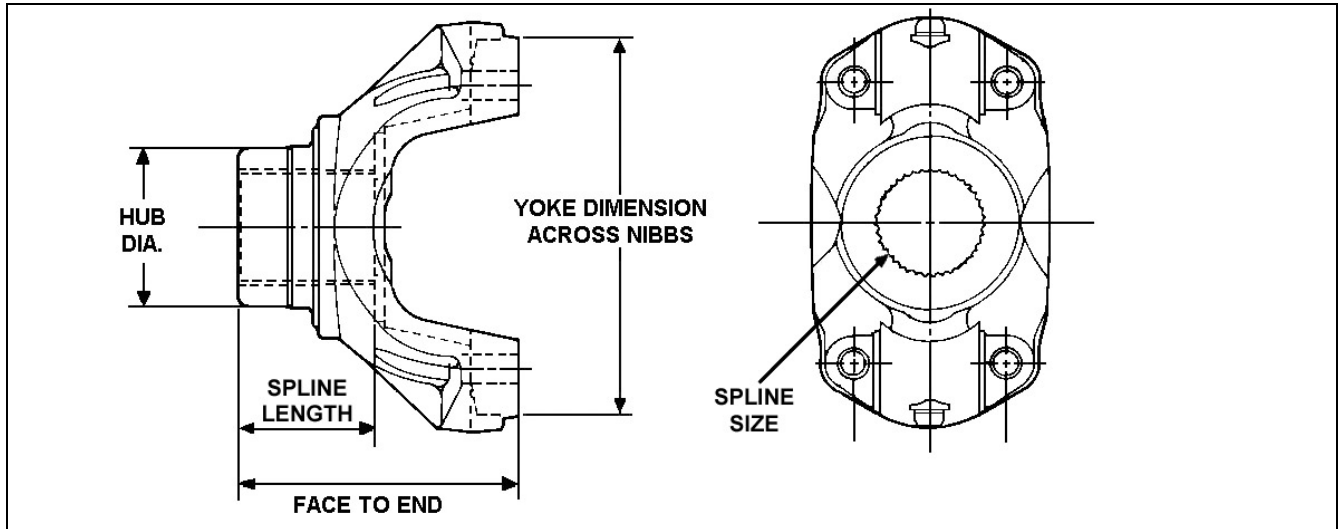
| Axle Model (Location) | Face to End | Spline Length | Hub Dia. | Pilot Diameter | Keyway Width | Spline Size Dia. - No. Teeth | Hole Type | Part Number | Production Part Number | |
|------------------------------|-------------|---------------|----------|----------------|--------------|------------------------------|-----------|---------------|------------------------|------------|
| RS-16-140 | 3.88" | 2.25" | 2.50" | 5.31" | .63" | 1.75"-34 | TH | 58WBYS28-182A | A-3260-L-38 | |
| RS-17-140 | 3.88" | | | 5.31" | .63" | | TH | 58WBYS28-186A | A-3260-K-63 | |
| (Input) | 3.31" | | | 5.53" | .56" | | TH | 62NYS28-160A | A-3260-Z-52 | |
| | 3.94" | | | 5.53" | .56" | | DR | 62NYS28-201A | A-3260-Q-1135 | |
| | 3.94" | | | 5.53" | .56" | | TH | 62NYS28-202A | A-3260-S-1137 | |
| | 3.75" | | | 5.84" | .63" | | TH | 72NYS28-166A | A-3260-F-32 | |
| RS-16-141 | 3.81" | 2.31" | 3.00" | 5.31" | .63" | 2.00"-39 | TH | 58WBYS32-47A | A-3260-S-253 | |
| RS-17-141 | 3.81" | | | 5.84" | .63" | | TH | 72NYS32-244A | A-3260-S-123 | |
| RS-19-145 | 3.88" | | | 8.13" | .63" | | TH | 82NYS32-74A1 | A1-3260-M-117 | |
| RS-21-145 | 4.25" | | | 8.25" | .63" | | TH | 92NYS32-25A1 | A1-3260-N-118 | |
| (Input) | 4.44" | | | 8.25" | .63" | | DR | 92NYS32-26A | A-3260-B-132 | |
| (Fwd. Input) | 3.81" | 2.31" | 3.00" | 5.84" | .63" | 2.00"-39 | TH | 72NYS32-244A1 | A1-3260-S-123 | |
| RT-34-140 | 4.25" | | | 8.25" | .63" | | TH | 92NYS32-25A | A-3260-N-118 | |
| RT-34-145 | 4.22" | 2.32" | 3.25" | 8.25" | .63" | 2.38"-46 | TH | 92NYS38-73A | A-3260-K-1129 | |
| RT-40-145 | | | | | | | | | | |
| RT-44-145 | 3.81" | 2.31" | 3.00" | 5.84" | .63" | 2.00"-39 | TH | 72NYS32-244 | 3260-S-123 | |
| (Fwd. Output) | | | | 4.25" | 8.25" | | .63" | TH | 92NYS32-25 | 3260-N-118 |
| (Original Design 140 Tandem) | | | | 4.44" | 8.25" | | .63" | DR | 92NYS32-26 | 3260-B-132 |
| (All Others) | 3.63" | 2.25" | 2.50" | 5.84" | .63" | 1.75"-34 | TH | 72NYS28-176 | 3260-X-128 | |
| | 4.69" | | | 5.84" | .63" | | DR | 72NYS28-177 | 3260-Y-129 | |
| | 4.25" | | | 5.84" | .63" | | TH | 72NYS28-179 | 3260-X-154 | |
| | 4.25" | | | 8.25" | .63" | | DR | 92NYS28-5 | 3260-A-131 | |
| (Rear Input) | 3.81" | 2.31" | 3.00" | 5.31" | .63" | 2.00"-39 | TH | 58WBYS32-47A | A-3260-S-253 | |
| | 3.81" | | | 5.84" | .63" | | TH | 72NYS32-244A | A-3260-S-123 | |
| | 3.88" | | | 8.13" | .63" | | TH | 82NYS32-74A1 | A1-3260-M-117 | |
| | 4.25" | | | 8.25" | .63" | | TH | 92NYS32-25A1 | A1-3260-N-118 | |
| | 4.44" | | | 8.25" | .63" | | DR | 92NYS32-26A | A-3260-B-132 | |

EASY SERVICE (STRAP) TYPE YOKES



| Axle Model (Location) | Center to End | Spline Length | Hub Dia. | Bearing Cap Diameter | Distance Between Nibbs | Spline Size Dia. - No. Teeth | Hole Type | Part Number | Production Part Number | | | |
|---------------------------------|---------------|---------------|----------|----------------------|------------------------|------------------------------|---------------|---------------|------------------------|---------------|---------------|---------------|
| RS-16-140 | 4.19" | 2.25" | 2.50" | 1.19" | 4.19" | 1.75"-34 | DR | 141DYS28A | A-3280-J-8070 | | | |
| RS-17-140 (Input) | 4.47" | | | 1.38" | 4.19" | | DR | 148DYS28A | | | | |
| | 4.69" | | | 1.38" | 4.97" | | DR | 155DYS28-1A | A-3260-N-248 | | | |
| | 4.66" | | | 1.38" | 4.97" | | DR | 155NYS28-5A | A-3260-B-2 | | | |
| | 4.88" | | | 1.88" | 5.31" | | TH | 16TYS28-13A | A-3260-J-1232 | | | |
| | 4.88" | | 1.94" | 6.19" | TH | 17TYS28-57A | A-3260-V-1296 | | | | | |
| RS-16-141 | 4.75" | 2.31" | 3.00" | 1.38" | 4.19" | 2.00"-39 | TH | 148TYS32-4A | A-3260-S-1241 | | | |
| RS-17-141 | 4.75" | | | 1.38" | 4.97" | | DR | 155DYS32-6A | A-3260-F-318 | | | |
| RS-19-145 | 4.75" | | | 1.38" | 4.97" | | TH | 155TYS32-6A | A-3260-A-1353 | | | |
| RS-21-145 (Input) | 5.54" | | | 1.88" | 5.31" | | TH | 16TYS32-32A | A-3260-F-1280 | | | |
| | 6.22" | | | 1.88" | 5.31" | | TH | 16TYS32-76A | A-3260-D-1668 | | | |
| | 4.88" | | | 1.88" | 5.31" | | TH | 16TYS32-86A | | | | |
| | 5.19" | | | 1.94" | 7.09" | | TH | 176TYS32-3A1 | A1-3260-S-1267 | | | |
| | 6.25" | | | 1.94" | 6.19" | | TH | 17TYS32-99A | | | | |
| | 5.16" | | | 1.94" | 6.19" | | TH | 17N-4-7631-1X | A-3260-R-1292 | | | |
| | 5.19" | | | 1.94" | 7.63" | | TH | 18TYS32-12A1 | A1-3260-N-1262 | | | |
| RT-34-140 | 4.38" | 2.31" | 3.00" | 1.38" | 4.97" | 2.00"-39 | TH | 155TYS32-2A | A-3260-W-1037 | | | |
| RT-40-140 | 4.88" | | | 1.88" | 5.31" | | TH | 16N-4-6431-1X | | | | |
| RT-34-145 | 5.19" | | | 1.94" | 7.09" | | TH | 176N-4-541-1X | A-3260-S-1267 | | | |
| RT-40-145 | 6.25" | | | 1.94" | 6.19" | | TH | 17TYS32-95A1 | | | | |
| RT-44-145 (Fwd. Input) | 5.16" | | | 1.94" | 6.19" | | TH | 17N-4-7641-1X | A1-3260-R-1292 | | | |
| | 5.19" | | | 1.94" | 7.63" | | TH | 18N-4-3381-1X | A-3260-N-1262 | | | |
| | 4.94" | | | 2.32" | 3.25" | | 1.88" | 5.31" | 2.38"-46 | TH | 16N-4-7341-1X | A-3260-L-1234 |
| | 5.38" | | | | | | 1.94" | 6.19" | | TH | 17TYS38-76A | |
| | 5.06" | 1.94" | 7.09" | | | TH | 176TYS38-27A | | | | | |
| | 5.16" | 1.94" | 7.64" | | | TH | 18TYS38-27A | | | | | |
| (Fwd. Output) (New Design Only) | 4.75" | 2.31" | 3.00" | 1.38" | 4.97" | 2.00"-39 | DR | 155DYS32-6 | 3260-F-318 | | | |
| | 5.54" | | | 1.88" | 5.31" | | TH | 16N-4-6271-1 | 3260-F-1280 | | | |
| | 6.22" | | | 1.88" | 5.31" | | TH | 16TYS32-76 | 3260-D-1668 | | | |
| | 6.25" | | | 1.94" | 6.19" | | TH | 17TYS32-99 | | | | |
| (Rear Input) | 4.75" | 2.31" | 3.00" | 1.38" | 4.19" | 2.00"-39 | TH | 148TYS32-4A | A-3260-S-1241 | | | |
| | 4.75" | | | 1.38" | 4.97" | | DR | 155DYS32-6A | A-3260-F-318 | | | |
| | 4.75" | | | 1.38" | 4.97" | | TH | 155TYS32-6A | A-3260-A-1353 | | | |
| | 5.54" | | | 1.88" | 5.31" | | TH | 16TYS32-32A | A-3260-F-1280 | | | |
| | 6.22" | | | 1.88" | 5.31" | | TH | 16TYS32-76A | A-3260-D-1668 | | | |
| | 4.88" | | | 1.88" | 5.31" | | TH | 16TYS32-86A | | | | |
| | 5.19" | | | 1.94" | 7.09" | | TH | 176TYS32-3A1 | A1-3260-S-1267 | | | |
| | 6.25" | | | 1.94" | 6.19" | | TH | 17TYS32-99A | | | | |
| | 5.16" | | | 1.94" | 6.19" | | TH | 17N-4-7631-1X | A-3260-R-1292 | | | |
| | 5.19" | | | 1.94" | 7.63" | | TH | 18TYS32-12A1 | A1-3260-N-1262 | | | |
| MT-40-143 Forward Input | 5.10" | 2.32" | 3.25" | 2.17" | 6.46" | 2.38"-46 | TH | 170TYS38-4A | A-3260-F-1826 | | | |
| | 5.32" | | | 2.36" | 6.41" | | TH | 250TYS38-2A | A-3260-H-1828 | | | |
| Forward Output | 5.09" | | | 2.31" | 3.00" | | 2.17" | 6.46" | 2.00"-39 | | 170TYS32-2 | 3260-G-1827 |
| Rear Input | 5.09" | 2.17" | 6.46" | | | 2.00"-39 | | 170TYS32-2A | | A-3260-G-1827 | | |
| | 6.39" | | 2.17" | 6.46" | | | | 170TYS32-1A | A-3260-J-1830 | | | |

RPL SERIES YOKES



| Axle Model | Face to End | Hub Dia. | Spline Length | Yoke Dimension Across Nibbs | Spline Size Dia. - No. Teeth | Part Number |
|---------------------------|--------------|----------|---------------|-----------------------------|------------------------------|-------------|
| MT-40-143 (Fwd. Input) | 4.90" | 3.25" | 2.32" | 7.06" | 2.38"-46 | 20WYS38-4A |
| | 4.73" | | | 8.38" | | 25WYS38-13A |
| (Fwd. Output) | 5.95" | 3.00" | 2.31" | 7.06" | 2.00"-39 | 20WYS32-2 |
| | (Rear Input) | | | 5.95" | | 7.06" |



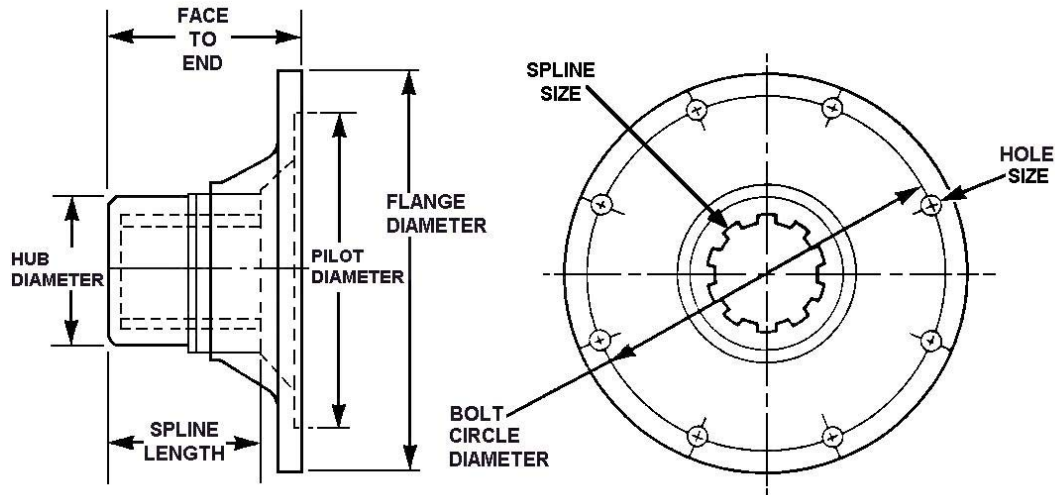
If you detect any **errors** in this catalog, please let us know.

We want the information to be as accurate as possible; we appreciate your help in making it so.

Please e-mail any comments/suggestions/corrections to us at: catalogfeedback@arvinmeritor.com

or mail to: ArvinMeritor
 attn: Catalog Dept.
 7975 Dixie Highway
 Florence, KY 41042

COMPANION FLANGES



| Axle Model (Location) | Face to End | Spline Length | Hub Dia. | Pilot Dia. M=Male F=Female | Flange Dia. | Hole Size | Bolt Circle Dia. | Spline Size Dia. - No. Teeth | Part Number | Production Part Number |
|---|----------------------------------|---------------|----------|--|----------------------------------|------------------------------|----------------------------------|---------------------------------|--|--|
| RS-16-140 RS-17-140 (Input) | 2.84" 2.94" | 2.25" | 2.50" | F-3.75" F-7.75" | Square Flange 8.00" | .51" .38" | 4.75" 7.25" | 1.75"-34 | 2WCS28-73A 5WCS28-54A | A-3260-D-4 A-3260-G-7 |
| RS-16-141 RS-17-141 RS-19-145 RS-21-145 (Input) | 3.38" 3.31" | 2.31" | 3.00" | F-6.63" F-7.75" | 6.88" 8.00" | .38" .41" | 6.13" 7.25" | 2.00"-39 | 3WCS32-73A1 5WCS32-86A2 | A1-3260-V-152 A2-3260-F-136 |
| (Fwd. Input) RT-34-140 RT-40-140 RT-34-145 RT-40-145 RT-44-145 | 3.38" 3.31" 2.62" 3.27" | 2.31" | 3.00" | F-6.63" F-7.75" F-7.75" F-7.75" | 6.88" 8.00" 8.00" 8.00" | .38" .41" .44" .40" | 6.13" 7.25" 7.25" 7.25" | 2.00"-39 | 3WCS32-73A 5WCS32-86A 5WCS32-89A 5WCS32-94A | A-3260-V-152 A-3260-F-136 A-3260-E-213 A-3260-M-325 |
| (Fwd. Output) (Original Design 140 Tandem) | 2.94" | 2.25" | 2.50" | F-6.63" | 6.88" | .38" | 6.13" | 1.75"-34 | 3WCS28-93 | 3260-J-10 |
| (All Others) | 3.31" | 2.31" | 3.00" | F-7.75" | 8.00" | .41" | 7.25" | 2.00"-39 | 5WCS32-86 | 3260-F-136 |
| (Rear Input) | 3.38" 3.31" | 2.31" | 3.00" | F-6.63" F-7.75" | 6.88" 8.00" | .38" .41" | 6.13" 7.25" | 2.00"-39 | 3WCS32-73A1 5WCS32-86A2 | A1-3260-V-152 A2-3260-F-136 |



MERITOR™

an **ArvinMeritor** brand

AXLE MODEL TO CARRIER TO KIT CROSS REFERENCE

| AXLE MODEL | BASE CARRIER | KIT DESCRIPTION | KIT NUMBER | |
|--------------------------|--|---|--|--------------------------------|
| RS-16-140 | 3200-M-1547 Standard | Carrier overhaul | KIT RS-17-140 | |
| | | Carrier bearings and oil seals | KIT 4345 | |
| | | Pinion bearing cage shims | KIT 2313 | |
| | | Pinion bearing spacers | KIT 2321 | |
| | | Main differential nest with spider | KIT 2308 | |
| | | Main differential nest without spider | KIT 2309 | |
| | | Ring gear to differential case bolts, nuts and washers | KIT 2317 | |
| | 3200-L-1676 Standard | Carrier bearings and oil seals | KIT 4350 | |
| | | Pinion bearing cage shims | KIT 2313 | |
| | | Pinion bearing spacers | KIT 2321 | |
| | | Main differential nest with spider | KIT 2389 | |
| | | Main differential nest without spider | KIT 2431 | |
| | | Ring gear to differential case bolts, nuts and washers | KIT 2317 | |
| | | RS-16-141 | 3200-L-1676 Standard | Carrier bearings and oil seals |
| 3200-Q-1785 Standard | Pinion bearing cage shims | | KIT 2313 | |
| 3200-S-1865 Standard | Pinion bearing spacers | | KIT 2322 | |
| | Main differential nest with spider | | KIT 2389 | |
| | Main differential nest without spider | | KIT 2431 | |
| | Ring gear to differential case bolts, nuts and washers | | KIT 2317 | |
| | Carrier and cap upgrade to thrust screw version | | KIT 2756 | |
| RS-17-140 | 3200-M-1547 Standard | See kits for same base carrier of RS-16-140 | - | |
| | 3200-L-1676 Standard | | | |
| | 3200-Q-1785 Standard | | | |
| | 3200-S-1865 Standard | | | |
| RS-17-141 | 3200-M-1547 NoSpin diff. | See kits for same base carrier of RS-16-140 except KIT RS-17-140, KIT 2308, KIT 2309, KIT 2389 and KIT 2431 cannot be used as they apply to standard differential nest type carriers. | - | |
| | 3200-L-1676 NoSpin diff. | | | |
| | 3200-Q-1785 NoSpin diff. | | | |
| | 3200-S-1865 NoSpin diff. | | | |
| RS-17-141 | 3200-L-1676 Standard | See kits for same base carrier of RS-16-141 | - | |
| | 3200-Q-1785 Standard | | | |
| | 3200-S-1865 Standard | | | |
| RD-17-145 | 3200-G-1645 Standard | Carrier bearings and oil seals (Prior to 11/93) | KIT 4395 | |
| | 3200-T-1814 Standard | Carrier bearings and oil seals (After 11/93) | KIT 4396 | |
| | 3200-B-1978 Standard | Input bearing cage shims and pinion inner bearing cup shims | KIT 2429 | |
| | | Pinion bearing spacers | KIT 2396 | |
| | | Main differential nest with spider | KIT 2389 | |
| | | Main differential nest without spider | KIT 2431 | |
| | | Ring gear to differential case bolts, nuts and washers | KIT 2317 | |
| | | Output bearing snap ring spacers | KIT 576 | |
| | | Inter-axle differential case and nest (Prior to 10/98) | KIT 2488 | |
| | | Inter-axle differential case and nest (After 10/98) | KIT 2522 | |
| | | Helical gears | KIT 2482 | |
| | | Carrier and cap upgrade to thrust screw | KIT 2751 | |
| | | Carrier, cap and IAD shift cylinder upgrade | KIT 2706 | |
| | | 3200-G-1645 NoSpin diff. | See kits for standard carrier except KIT 2389 and KIT 2431 which apply to standard differential type carriers. | - |
| | | 3200-T-1814 NoSpin diff. | | |
| 3200-B-1978 NoSpin diff. | | | | |

AXLE MODEL TO CARRIER TO KIT CROSS REFERENCE

| AXLE MODEL | BASE CARRIER | KIT DESCRIPTION | KIT NUMBER |
|------------|--|--|---|
| RP-17-145 | 3200-X-1662 Pump 3200-V-1816 Pump 3200-H-1984 Pump | Carrier bearings and oil seals (Prior to 11/93) | KIT 4395 |
| | | Carrier bearings and oil seals (After 11/93) | KIT 4396 |
| | | Input bearing cage shims and pinion inner bearing cup shims | KIT 2429 |
| | | Pinion bearing spacers | KIT 2396 |
| | | Main differential nest with spider | KIT 2389 |
| | | Main differential nest without spider | KIT 2431 |
| | | Ring gear to differential case bolts, nuts and washers | KIT 2317 |
| | | Output bearing snap ring spacers | KIT 576 |
| | | Inter-axle differential case and nest (Prior to 10/98) | KIT 2488 |
| | | Inter-axle differential case and nest (After 10/98) | KIT 2522 |
| | | Helical gears | KIT 2482 |
| | | Input shaft and pump upgrade | KIT 2623 |
| | | Carrier and cap upgrade to thrust screw | KIT 2753 |
| | | 3200-X-1662 NoSpin diff. 3200-V-1816 NoSpin diff. 3200-H-1984 NoSpin diff. | See kits for carrier with pump except KIT 2389 and KIT 2431 which apply to standard differential type carriers. |
| RR-17-145 | 3200-L-1676 Standard 3200-Q-1785 Standard 3200-S-1865 Standard | See kits for same base carrier of RS-16-141 | - |
| | | | - |
| | | | - |
| RS-19-145 | 3200-L-1676 Standard 3200-Q-1785 Standard 3200-S-1865 Standard | See kits for same base carrier of RS-16-141 | - |
| | | | - |
| | | | - |
| RD-20-140 | 3200-G-1645 Standard 3200-T-1814 Standard 3200-B-1978 Standard | Carrier overhaul | KIT RD-20140NL |
| | | Carrier bearings and oil seals (Prior to 11/93) | KIT 4355 |
| | | Carrier bearings and oils seals (updated input shaft) | KIT 4356 |
| | | Input bearing cage shims and pinion inner bearing cup shims | KIT 2429 |
| | | Pinion bearing spacers | KIT 2396 |
| | | Main differential nest with spider | KIT 2310 |
| | | Main differential nest without spider | KIT 2311 |
| | | Ring gear to differential case bolts, nuts and washers | KIT 2317 |
| | | Output bearing snap ring spacers | KIT 530 |
| | | Inter-axle differential case and nest (Prior to 10/98) | KIT 2488 |
| | | Inter-axle differential case and nest (After 10/98) | KIT 2522 |
| | | Helical gears | KIT 2482 |
| | | Carrier and cap upgrade to thrust screw | KIT 2751 |
| | | Carrier, cap and IAD shift cylinder upgrade | KIT 2706 |
| RR-20-140 | 3200-L-1676 Standard 3200-Q-1785 Standard 3200-S-1865 Standard | Carrier overhaul | KIT RS-145 1676 |
| | | Carrier bearings and oil seals | KIT 4400 |
| | | Pinion bearing cage shims | KIT 2313 |
| | | Pinion bearing spacers | KIT 2322 |
| | | Main differential nest with spider | KIT 2310 |
| | | Main differential nest without spider | KIT 2311 |
| | | Ring gear to differential case bolts, nuts and washers | KIT 2317 |
| | | Carrier and cap upgrade to thrust screw | KIT 2756 |
| | | | |
| MR-20-143 | 3200-W-2051 Standard | Pinion bearing shims | KIT 1647 |
| | | Pinion bearing split spacers | KIT 2541 |
| | | Carrier bearings and oil seals | KIT 4461 |
| | | Main differential nest with spider | KIT 2310 |
| | | Main differential nest without spider | KIT 2311 |
| | | Ring gear to differential case bolts, nuts and washers | KIT 2317 |

AXLE MODEL TO CARRIER TO KIT CROSS REFERENCE

| AXLE MODEL | BASE CARRIER | KIT DESCRIPTION | KIT NUMBER |
|--|--|--|------------------|
| MD-20-143 RD-20-145 | 3200-G-1645 Standard 3200-T-1814 Standard 3200-F-1852 Standard 3200-N-1860 Standard 3200-S-1917 Standard 3200-B-1978 Standard 3200-C-1979 Standard | Carrier overhaul | KIT RD-20145NL |
| | | Carrier bearings and oil seals (Prior to 11/93) | KIT 4395 |
| | | Carrier bearings and oil seals (After 11/93) | KIT 4396 |
| | | Input bearing cage shims and pinion inner bearing cup shims | KIT 2429 |
| | | Pinion bearing spacers | KIT 2396 |
| | | Main differential nest with spider | KIT 2310 |
| | | Main differential nest without spider | KIT 2311 |
| | | Ring gear to differential case bolts, nuts and washers | KIT 2317 |
| | | Output bearing snap ring spacers | KIT 576 |
| | | Inter-axle differential case and nest (Prior to 10/98) | KIT 2488 |
| | | Inter-axle differential case and nest (After 10/98) | KIT 2522 |
| | | Helical gears | KIT 2482 |
| | | Carrier and cap upgrade to thrust screw | KIT 2751 |
| | | Carrier, cap and IAD shift cylinder upgrade | KIT 2706 |
| | 3200-M-1677 Diff. lock 3200-U-1815 Diff. lock 3200-R-1890 Diff. lock 3200-E-1903 Diff. lock 3200-E-1981 Diff. lock | Same as RD-20-145 standard except for the following kits: | |
| | Carrier overhaul | KIT RD-20145DL | |
| | Carrier bearings and oil seals (Prior to 11/93) | KIT 4405 | |
| | Carrier bearings and oil seals (After 11/93) | KIT 4406 | |
| | Carrier, cap and IAD shift cylinder upgrade | KIT 2619 | |
| | Shift kit (bolt on style main diff. lock) | KIT 2413 | |
| Shift kit (screw on style main diff. lock) | KIT 2691 | | |
| MP-20-143 RP-20-145 | 3200-L-1624 Pump w/lock 3200-W-1817 Pump w/lock 3200-P-1888 Pump w/lock 3200-D-1902 Pump w/lock 3200-K-1987 Pump w/lock | Carrier overhaul | KIT RD-20145NL |
| | | Carrier bearings and oil seals (Prior to 11/93) | KIT 4405 |
| | | Carrier bearings and oil seals (After 11/93) | KIT 4406 |
| | | Input bearing cage shims and pinion inner bearing cup shims | KIT 2429 |
| | | Pinion bearing spacers | KIT 2396 |
| | | Main differential nest with spider | KIT 2310 |
| | | Main differential nest without spider | KIT 2311 |
| | | Ring gear to differential case bolts, nuts and washers | KIT 2317 |
| | | Output bearing snap ring spacers | KIT 576 |
| | | Inter-axle differential case and nest (Prior to 10/98) | KIT 2488 |
| | | Inter-axle differential case and nest (After 10/98) | KIT 2522 |
| | | Helical gears | KIT 2482 |
| | | Carrier and cap upgrade to thrust screw | KIT 2754 |
| | | Carrier, cap and IAD shift cylinder upgrade | KIT 2705 |
| | | Input shaft and pump | KIT 2623 |
| | | Shift kit (bolt on style main diff. lock) | KIT 2413 |
| | | Shift kit (screw on style main diff. lock) | KIT 2691 |
| | | 3200-X-1662 Pump 3200-V-1816 Pump 3200-G-1853 Pump 3200-H-1984 Pump | Carrier overhaul |
| | Carrier bearings and oil seals (Prior to 11/93) | | KIT 4395 |
| | Carrier bearings and oil seals (After 11/93) | | KIT 4396 |
| | Input bearing cage shims and pinion inner bearing cup shims | | KIT 2429 |
| | Pinion bearing spacers | | KIT 2396 |
| | Main differential nest with spider | | KIT 2310 |
| | Main differential nest without spider | | KIT 2311 |
| | Ring gear to differential case bolts, nuts and washers | | KIT 2317 |
| | Output bearing snap ring spacers | | KIT 576 |
| | Inter-axle differential case and nest (Prior to 10/98) | | KIT 2488 |
| | Inter-axle differential case and nest (After 10/98) | | KIT 2522 |
| | Helical gears | | KIT 2482 |
| | Input shaft and pump upgrade | KIT 2623 | |
| | Carrier and cap upgrade to thrust screw | KIT 2753 | |
| | 3200-X-1662 NoSpin diff. 3200-V-1816 NoSpin diff. 3200-H-1984 NoSpin diff. | Same as pump with no lock with the following exceptions: KIT RD20145NL, KIT 2310 and KIT 2311 apply only to standard differential carriers, not used with NoSpin. | |
| | WITH PUMP | | |

AXLE MODEL TO CARRIER TO KIT CROSS REFERENCE

| AXLE MODEL | BASE CARRIER | KIT DESCRIPTION | KIT NUMBER |
|------------|--|--|-----------------|
| RR-20-145 | 3200-L-1676 Standard | Carrier overhaul | KIT RS-145 1676 |
| | 3200-Q-1785 Standard | Carrier bearings and oil seals | KIT 4400 |
| | 3200-D-1850 Standard | Pinion bearing cage shims (1676) | KIT 2313 |
| | 3200-E-1851 Standard | Pinion bearing spacers | KIT 2322 |
| | 3200-S-1865 Standard | Main differential nest with spider | KIT 2310 |
| | 3200-M-1885 Standard | Main differential nest without spider | KIT 2311 |
| | | Ring gear to differential case bolts, nuts and washers | KIT 2317 |
| | | Carrier and cap upgrade to thrust screw | KIT 2756 |
| | Same carriers as above but with No-Spin diff. | Same as above with the following exceptions: KIT RS-145 1676, KIT 2310 and KIT 2311 apply only to standard differential carriers, not used with NoSpin. | |
| | 3200-X-1558 Diff. lock | Carrier overhaul | KIT RS-145 1547 |
| | 3200-G-1879 Diff. lock | Carrier bearings and oil seals | KIT 4390 |
| | | Pinion bearing cage shims | KIT 2313 |
| | | Pinion bearing spacers | KIT 2322 |
| | | Main differential nest with spider | KIT 2310 |
| | | Main differential nest without spider | KIT 2311 |
| | | Ring gear to differential case bolts, nuts and washers | KIT 2317 |
| | | Diff. lock actuator repair kit | KIT 2405 |
| | Carrier and cap upgrade to thrust screw | KIT 2755 | |
| RS-21-145 | 3200-L-1676 Standard | See kits for same base carriers of RR-20-145 | |
| | 3200-Q-1785 Standard | | |
| | 3200-D-1850 Standard | | |
| | 3200-E-1851 Standard | | |
| | 3200-S-1865 Standard | | |
| | 3200-M-1885 Standard | | |
| | 3200-L-1676 NoSpin diff. | See kits for same base carrier of RR-20-145 | |
| | 3200-X-1558 Diff. lock | See kits for same base carriers of RR-20-145 | |
| | 3200-G-1879 Diff. lock | | |
| | 3200-R-1500 Diff. lock | Carrier overhaul | KIT RS-145 1500 |
| | Carrier bearings and oil seals | KIT 4385 | |
| | Pinion bearing cage shims | KIT 2313 | |
| | Pinion bearing spacers | KIT 2322 | |
| | Main differential nest with spider | KIT 2310 | |
| | Main differential nest without spider | KIT 2311 | |
| | Ring gear to differential case bolts, nuts and washers | KIT 2317 | |
| | Diff. lock actuator repair kit | KIT 2405 | |
| | Diff. lock actuator | KIT 2364 | |
| RD-22-145 | 3200-B-1874 Standard | Carrier bearings and oil seals (Prior to 11/93) | KIT 4395 |
| | 3200-D-1980 Standard | Carrier bearings and oil seals (After 11/93) | KIT 4396 |
| | | Input bearing cage shims and pinion inner bearing cup shims | KIT 2429 |
| | | Pinion bearing spacers | KIT 2396 |
| | | Main differential nest with spider | KIT 2696 |
| | | Main differential nest without spider | KIT 2703 |
| | | Main differential case upgrade 3.42 thru 4.11 | KIT 2665 |
| | | Main differential case upgrade 4.30 and slower | KIT 2647 |
| | | Ring gear to differential case bolts, nuts and washers | KIT 2317 |
| | | Output bearing snap ring spacers | KIT 576 |
| | | Inter-axle differential case and nest (Prior to 10/98) | KIT 2488 |
| | | Inter-axle differential case and nest (After 10/98) | KIT 2522 |
| | | Helical gears | KIT 2482 |
| | | Carrier and cap upgrade to thrust screw | KIT 2751 |
| | | Carrier, cap and IAD shift cylinder upgrade | KIT 2706 |

AXLE MODEL TO CARRIER TO KIT CROSS REFERENCE

| AXLE MODEL | BASE CARRIER | KIT DESCRIPTION | KIT NUMBER | |
|---|--|---|--|---|
| RD-22-145 (cont) | 3200-C-1875 Diff. lock 3200-G-1905 Diff. lock 3200-F-1982 Diff. lock | Same as RD-20-145 standard except for the following kits: | | |
| | | Carrier bearings and oil seals (Prior to 11/93) | KIT 4405 | |
| | | Carrier bearings and oil seals (After 11/93) | KIT 4406 | |
| | | Carrier, cap and IAD shift cylinder upgrade | KIT 2704 | |
| | | Main differential case upgrade 3.42 thru 4.11 | KIT 2664 | |
| | | Main differential case upgrade 4.30 and slower | KIT 2648 | |
| | | Shift kit (bolt on style main diff. lock) | KIT 2413 | |
| | | Shift kit (screw on style main diff. lock) | KIT 2691 | |
| | | Carrier and cap upgrade to thrust screw | KIT 2752 | |
| | | RP-22-145 | 3200-E-1877 Pump w/lock 3200-H-1906 Pump w/lock 3200-M-1911 Pump w/lock 3200-T-1918 Pump w/lock | Carrier bearings and oil seals (Prior to 11/93) |
| Carrier bearings and oil seals (After 11/93) | KIT 4406 | | | |
| Input bearing cage shims and pinion inner bearing cup shims | KIT 2429 | | | |
| Pinion bearing spacers | KIT 2396 | | | |
| Main differential nest with spider | KIT 2696 | | | |
| Main differential nest without spider | KIT 2703 | | | |
| Main differential case upgrade 3.42 thru 4.11 | KIT 2664 | | | |
| Main differential case upgrade 4.30 and slower | KIT 2648 | | | |
| Ring gear to differential case bolts, nuts and washers | KIT 2317 | | | |
| Output bearing snap ring spacers | KIT 576 | | | |
| Inter-axle differential case and nest (Prior to 10/98) | KIT 2488 | | | |
| Inter-axle differential case and nest (After 10/98) | KIT 2522 | | | |
| Helical gears | KIT 2482 | | | |
| Carrier, cap and IAD shift cylinder upgrade | KIT 2705 | | | |
| Input shaft and pump | KIT 2623 | | | |
| Shift kit (bolt on style main diff. lock) | KIT 2413 | | | |
| Shift kit (screw on style main diff. lock) | KIT 2691 | | | |
| Carrier and cap upgrade to thrust screw | KIT 2754 | | | |
| 3200-D-1876 Pump 3200-P-1914 Pump 3200-J-1986 Pump | Carrier bearings and oil seals (Prior to 11/93) | | | KIT 4395 |
| | Carrier bearings and oil seals (After 11/93) | | | KIT 4396 |
| | Input bearing cage shims and pinion inner bearing cup shims | | KIT 2429 | |
| | Pinion bearing spacers | | KIT 2396 | |
| | Main differential nest with spider | | KIT 2696 | |
| | Main differential nest without spider | | KIT 2703 | |
| | Main differential case upgrade 3.42 thru 4.11 | | KIT 2665 | |
| | Main differential case upgrade 4.30 and slower | | KIT 2647 | |
| 3200-D-1876 Pump 3200-P-1914 Pump 3200-J-1986 Pump | Ring gear to differential case bolts, nuts and washers | | KIT 2317 | |
| | Output bearing snap ring spacers | | KIT 576 | |
| | Inter-axle differential case and nest (Prior to 10/98) | | KIT 2488 | |
| | Inter-axle differential case and nest (After 10/98) | | KIT 2522 | |
| | Helical gears | | KIT 2482 | |
| | Input shaft and pump upgrade | | KIT 2623 | |
| | Carrier and cap upgrade to thrust screw | | KIT 2753 | |
| Same carriers as above but with No-Spin diff. | Same as above with the following exceptions: KIT RD20145NL, KIT 2310 and KIT 2311 apply only to standard differential carriers, not used with NoSpin. | | | |

AXLE MODEL TO CARRIER TO KIT CROSS REFERENCE

| AXLE MODEL | BASE CARRIER | KIT DESCRIPTION | KIT NUMBER | | |
|---|--|--|--|--------------------------------|----------|
| RR-22-145 | 3200-A-1873 Standard | Carrier bearings and oil seals | KIT 4400 | | |
| | | Pinion bearing cage shims | KIT 2313 | | |
| | | Pinion bearing spacers | KIT 2322 | | |
| | | Main differential nest with spider | KIT 2696 | | |
| | | Main differential nest without spider | KIT 2703 | | |
| | | Main differential case upgrade 3.42 thru 4.11 | KIT 2665 | | |
| | | Main differential case upgrade 4.30 and slower | KIT 2647 | | |
| | | Ring gear to differential case bolts, nuts and washers | KIT 2317 | | |
| | | Carrier and cap upgrade to thrust screw | KIT 2756 | | |
| | | Same carriers as above but with No-Spin diff. | Same as above with the following exceptions: KIT RS-145 1676, KIT 2310 and KIT 2311 apply only to standard differential carriers, not used with NoSpin. | | |
| | | | | | |
| | | 3200-F-1904 Diff. lock | | Carrier bearings and oil seals | KIT 4390 |
| | Pinion bearing cage shims | | | KIT 2313 | |
| | Pinion bearing spacers | | | KIT 2322 | |
| | Main differential nest with spider | | | KIT 2696 | |
| | Main differential nest without spider | | | KIT 2703 | |
| | Main differential case upgrade 3.42 thru 4.11 | | | KIT 2664 | |
| | Main differential case upgrade 4.30 and slower | | | KIT 2648 | |
| | Ring gear to differential case bolts, nuts and washers | | | KIT 2317 | |
| | Diff. lock actuator repair kit | | | KIT 2405 | |
| Carrier and cap upgrade to thrust screw | KIT 2755 | | | | |



MERITOR[™]
an *ArvinMeritor* brand

KIT RD20140NL

| ITEM | PART NUMBER | QTY. | DESCRIPTION | REMARKS |
|------|-------------|------|--------------------------|--|
| 1 | KIT 2310 | 1 | Main Differential Kit | Without diff. lock, old style IAD RD-20-140 |
| 2 | KIT 2396 | 1 | Spacer Kit | |
| 3 | KIT 2429 | 1 | Shim Kit | |
| 4 | KIT 576 | 1 | Snap Ring Kit | |
| 5 | KIT 2488 | 1 | IAD Kit | |
| 6 | 40-X-1145 | 1 | Nut | |
| 7 | KIT 2637 | 1 | Input Nut and Washer Kit | |
| 8 | KIT 4395 | 1 | Bearing & Seal Kit | |
| 9 | JM511945 | 1 | Bearing Cone | |

KIT RD20145DL

| ITEM | PART NUMBER | QTY. | DESCRIPTION | REMARKS |
|------|---------------|------|--------------------------|--|
| 1 | KIT 2310 | 1 | Main Differential Kit | With diff. lock, old style IAD RD-20-145, RP-20-145 |
| 2 | KIT 2396 | 1 | Spacer Kit | |
| 3 | KIT 2429 | 1 | Shim Kit | |
| 4 | KIT 576 | 1 | Snap Ring Kit | |
| 5 | KIT 2488 | 1 | IAD Kit | |
| 6 | 40-X-1145 | 1 | Nut | |
| 7 | KIT 2637 | 1 | Input Nut and Washer Kit | |
| 8 | KIT 4405 | 1 | Bearing & Seal Kit | |
| 9 | JM511945 | 1 | Bearing Cone | |
| 10 | A-1205-R-2592 | 1 | Oil Seal Assembly | |

KIT RD20145NL

| ITEM | PART NUMBER | QTY. | DESCRIPTION | REMARKS |
|------|---------------|------|--------------------------|---|
| 1 | KIT 2310 | 1 | Main Differential Kit | Without diff. lock, old style IAD RD-20-145, RP-20-145 |
| 2 | KIT 2396 | 1 | Spacer Kit | |
| 3 | KIT 2429 | 1 | Shim Kit | |
| 4 | KIT 576 | 1 | Snap Ring Kit | |
| 5 | KIT 2488 | 1 | IAD Kit | |
| 6 | 40-X-1145 | 1 | Nut | |
| 7 | KIT 2637 | 2 | Input Nut and Washer Kit | |
| 8 | KIT 4395 | 1 | Bearing & Seal Kit | |
| 9 | JM511945 | 1 | Bearing Cone | |
| 10 | A-1205-R-2592 | 1 | Oil Seal Assembly | |

KIT RR22145 1873

| ITEM | PART NUMBER | QTY. | DESCRIPTION | REMARKS |
|------|-------------|------|--------------------------|------------------------------|
| 1 | KIT 2696 | 1 | Differential Kit | Less diff lock. RR-22-145 |
| 2 | KIT 2637 | 1 | Input Nut and Washer Kit | |
| 3 | KIT 2322 | 1 | Spacer Kit | |
| 4 | KIT 1568 | 1 | Shim Kit | |
| 5 | KIT 4400 | 1 | Bearing & Seal Kit | |

KIT RS145 1500

| ITEM | PART NUMBER | QTY. | DESCRIPTION | REMARKS |
|------|-------------|------|--------------------------|----------------------|
| 1 | KIT 2310 | 1 | Main Differential Kit | RR-20-145, RS-21-145 |
| 2 | KIT 2637 | 1 | Input Nut and Washer Kit | |
| 3 | KIT 2322 | 1 | Spacer Kit | |
| 4 | KIT 2313 | 1 | Shim Kit | |
| 5 | KIT 4385 | 1 | Bearing & Seal Kit | |

KIT RS145 1547

| ITEM | PART NUMBER | QTY. | DESCRIPTION | REMARKS |
|------|-------------|------|--------------------------|----------------------|
| 1 | KIT 2310 | 1 | Main Differential Kit | RR-20-145, RS-21-145 |
| 2 | KIT 2637 | 1 | Input Nut and Washer Kit | |
| 3 | KIT 2322 | 1 | Spacer Kit | |
| 4 | KIT 2313 | 1 | Shim Kit | |
| 5 | KIT 4390 | 1 | Bearing & Seal Kit | |

KIT RS145 1676

| ITEM | PART NUMBER | QTY. | DESCRIPTION | REMARKS |
|------|-------------|------|--------------------------|---|
| 1 | KIT 2310 | 1 | Main Differential Kit | For 3.64 - 3.21 ratio carriers. RR-20-140, RR-20-145 |
| 2 | KIT 2637 | 1 | Input Nut and Washer Kit | |
| 3 | KIT 2322 | 1 | Spacer Kit | |
| 4 | KIT 2313 | 1 | Shim Kit | |
| 5 | KIT 4400 | 1 | Bearing & Seal Kit | |

KIT RS145 1865

| ITEM | PART NUMBER | QTY. | DESCRIPTION | REMARKS |
|------|-------------|------|--------------------------|---|
| 1 | KIT 4400 | 1 | Bearing & Seal Kit | For 3.42 - 7.17 ratio carriers. RS-20-145, RS-21-145 |
| 2 | KIT 2322 | 1 | Spacer Kit | |
| 3 | KIT 2310 | 1 | Main Differential Kit | |
| 4 | KIT 1568 | 1 | Shim Kit | |
| 5 | KIT 2637 | 1 | Input Nut and Washer Kit | |

KIT RS17140

| ITEM | PART NUMBER | QTY. | DESCRIPTION | REMARKS |
|------|-------------|------|-----------------------|----------------------|
| 1 | KIT 2308 | 1 | Main Differential Kit | RS-16-140, RS-17-140 |
| 2 | KIT 2636 | 1 | Fastener Kit | |
| 3 | KIT 2321 | 1 | Spacer Kit | |
| 4 | KIT 2313 | 1 | Shim Kit | |
| 5 | KIT 4345 | 1 | Bearing & Seal Kit | |

KIT 530

| ITEM | PART NUMBER | QTY. | DESCRIPTION | REMARKS |
|------|-------------|------|-----------------------------|---------|
| 1 | 1229-A-2237 | 1 | Snap Ring - 3.94mm/.155 in. | |
| 2 | 1229-B-2238 | 1 | Snap Ring - 4.01mm/.158 in. | |
| 3 | 1229-C-2239 | 1 | Snap Ring - 4.09mm/.161 in. | |
| 4 | 1229-D-2240 | 1 | Snap Ring - 4.17mm/.164 in. | |
| 5 | 1229-E-2241 | 1 | Snap Ring - 4.24mm/.167 in. | |
| 6 | 1229-F-2242 | 1 | Snap Ring - 4.32mm/.170 in. | |
| 7 | 1229-G-2243 | 1 | Snap Ring - 4.39mm/.173 in. | |
| 8 | 1229-H-2244 | 1 | Snap Ring - 4.47mm/.176 in. | |
| 9 | 1229-J-2246 | 1 | Snap Ring - 4.55mm/.179 in. | |
| 10 | 1229-K-2247 | 1 | Snap Ring - 4.62mm/.182 in. | |

KIT 576

| ITEM | PART NUMBER | QTY. | DESCRIPTION | REMARKS |
|------|-------------|------|-----------------------------|--|
| 1 | 1229-P-2590 | 1 | Snap Ring - 3.94mm/.155 in. | Output shaft snap ring kit MD-20-143, MP-20-143, RD-17-145, RD-20-145, RD-22-145, RP-17-145, RP-20-145, RP-22-145 |
| 2 | 1229-Q-2591 | 1 | Snap Ring - 4.01mm/.158 in. | |
| 3 | 1229-R-2592 | 1 | Snap Ring - 4.09mm/.161 in. | |
| 4 | 1229-S-2593 | 1 | Snap Ring - 4.17mm/.164 in. | |
| 5 | 1229-T-2594 | 1 | Snap Ring - 4.24mm/.167 in. | |
| 6 | 1229-U-2595 | 1 | Snap Ring - 4.32mm/.170 in. | |
| 7 | 1229-V-2596 | 1 | Snap Ring - 4.39mm/.173 in. | |
| 8 | 1229-W-2597 | 1 | Snap Ring - 4.47mm/.176 in. | |
| 9 | 1229-X-2598 | 1 | Snap Ring - 4.55mm/.179 in. | |
| 10 | 1229-Y-2599 | 1 | Snap Ring - 4.62mm/.182 in. | |

KIT 1568

| ITEM | PART NUMBER | QTY. | DESCRIPTION | REMARKS |
|------|-------------|------|------------------------|---|
| 1 | 2203-C-8115 | 1 | Shim - .075mm/.003 in. | RR-17-145, RR-20-140, RR-20-145, RR-22-145, RS-16-140, RS-16-141, RS-17-140, RS-17-141, RS-19-145, RS-21-145 |
| 2 | 2203-D-8116 | 3 | Shim - .125mm/.005 in. | |
| 3 | 2203-E-8117 | 4 | Shim - .250mm/.010 in. | |
| 4 | 2203-B-9804 | 1 | Shim - .500mm/.020 in. | |

KIT 1647

| ITEM | PART NUMBER | QTY. | DESCRIPTION | REMARKS |
|------|-------------|------|------------------------|-------------------------------------|
| 1 | 2203-F-2788 | 3 | Shim - .076mm/.003 in. | For Amboid drive axle. MR-20-143 |
| 2 | 2203-G-2789 | 2 | Shim - .127mm/.005 in. | |
| 3 | 2203-H-2790 | 4 | Shim - .254mm/.010 in. | |

KIT 2308

| ITEM | PART NUMBER | QTY. | DESCRIPTION | REMARKS |
|------|-------------|------|--------------------------|--|
| 1 | 2233-M-1027 | 4 | Differential Pinion Gear | With diff. spider (1.85"-36 spline side gear). Original design. RS-16-140, RS-17-140 |
| 2 | 2234-T-1086 | 2 | Short Hub Side Gear LH | |
| 3 | 3278-D-82 | 1 | Differential Spider | |
| 4 | 1229-Z-3172 | 2 | Thrust Washer | |
| 5 | 1229-L-1026 | 4 | Thrust Washer | |

KIT 2309

| ITEM | PART NUMBER | QTY. | DESCRIPTION | REMARKS |
|------|-------------|------|--------------------------|--|
| 1 | 2233-M-1027 | 4 | Differential Pinion Gear | Less diff. spider (1.85"-36 spline side gear). Original design. RS-16-140, RS-17-140 |
| 2 | 2234-T-1086 | 2 | Short Hub Side Gear LH | |
| 3 | 1229-Z-3172 | 2 | Thrust Washer | |
| 4 | 1229-L-1026 | 4 | Thrust Washer | |

KIT 2310

| ITEM | PART NUMBER | QTY. | DESCRIPTION | REMARKS |
|------|-------------|------|--------------------------|---|
| 1 | 2233-J-1024 | 4 | Differential Pinion Gear | With diff. spider (2.10"-41 spline side gear). MD-20-143, MP-20-143, MR-20-143, RD-20-140, RD-20-145, RP-20-145, RR-20-140, RR-20-145, RS-21-145 |
| 2 | 2234-U-1269 | 2 | Differential Side Gear | |
| 3 | 3278-S-305 | 1 | Differential Spider | |
| 4 | 1229-V-4624 | 2 | Thrust Washer | |
| 5 | 1229-R-1032 | 4 | Thrust Washer | |

KIT 2311

| ITEM | PART NUMBER | QTY. | DESCRIPTION | REMARKS |
|------|-------------|------|--------------------------|---|
| 1 | 2233-J-1024 | 4 | Differential Pinion Gear | Less diff. spider (2.10"-41 spline side gear). MD-20-143, MP-20-143, MR-20-143, RD-20-140, RD-20-145, RP-20-145, RR-20-140, RR-20-145, RS-21-145 |
| 2 | 2234-U-1269 | 2 | Differential Side Gear | |
| 3 | 1229-V-4624 | 2 | Thrust Washer | |
| 4 | 1229-R-1032 | 4 | Thrust Washer | |

KIT 2313

| ITEM | PART NUMBER | QTY. | DESCRIPTION | REMARKS |
|------|-------------|------|------------------------|---|
| 1 | 2803-Q-2851 | 3 | Shim - .075mm/.003 in. | RR-17-145, RR-20-140, RR-20-145, RR-22-145, RS-16-140, RS-16-141, RS-17-140, RS-17-141, RS-19-145, RS-21-145 |
| 2 | 2803-R-2852 | 2 | Shim - .125mm/.005 in. | |
| 3 | 2803-S-2853 | 4 | Shim - .250mm/.010 in. | |
| 4 | 2803-T-2854 | 1 | Shim - .500mm/.020 in. | |

KIT 2317

| ITEM | PART NUMBER | QTY. | DESCRIPTION | REMARKS |
|------|-------------|------|-------------|--|
| 1 | 41-X-1216 | 12 | Capscrew | Gear to case bolt kit (17.0 mm bolts prior to 4-88) (used by 160s only) MD-20-143, MP-20-143, MR-20-143, RD-17-145, RD-20-140, RD-20-145, RD-22-145, RP-17-145, RP-20-145, RP-22-145, RR-17-145, RR-20-140, RR-20-145, RR-22-145, RS-16-140, RS-16-141, RS-17-140, RS-17-141, RS-17-145, RS-19-145, RS-21-145 |
| 2 | 1229-U-1503 | 12 | Washer | |
| 3 | 40-X-1182 | 12 | Lock Nut | |

KIT 2321

| ITEM | PART NUMBER | QTY. | DESCRIPTION | REMARKS |
|------|-------------|------|--------------------------|--|
| 1 | 2203-V-9486 | 2 | Spacer - 8.35mm/.329 in. | Pinion bearing spacers RS-16-140, RS-17-140 |
| 2 | 2203-W-9487 | 2 | Spacer - 8.38mm/.330 in. | |
| 3 | 2203-X-9488 | 2 | Spacer - 8.40mm/.331 in. | |
| 4 | 2203-Y-9489 | 2 | Spacer - 8.43mm/.332 in. | |
| 5 | 2203-Z-9490 | 2 | Spacer - 8.45mm/.333 in. | |
| 6 | 2203-A-9491 | 2 | Spacer - 8.58mm/.338 in. | |
| 7 | 2203-B-9492 | 2 | Spacer - 8.70mm/.343 in. | |
| 8 | 2203-C-9493 | 2 | Spacer - 8.73mm/.344 in. | |
| 9 | 2203-D-9494 | 2 | Spacer - 8.75mm/.345 in. | |
| 10 | 2203-E-9495 | 2 | Spacer - 8.78mm/.346 in. | |
| 12 | 2203-F-9496 | 2 | Spacer - 8.80mm/.347 in. | |

KIT 2322

| ITEM | PART NUMBER | QTY. | DESCRIPTION | REMARKS |
|------|-------------|------|--------------------------|--|
| 1 | 2203-J-9474 | 2 | Spacer - 8.75mm/.345 in. | Pinion bearing spacers RR-17-145, RR-20-140, RR-20-145, RR-22-145, RS-16-141, RS-17-141, RS-19-145, RS-21-145 |
| 2 | 2203-K-9475 | 2 | Spacer - 8.78mm/.346 in. | |
| 3 | 2203-L-9476 | 2 | Spacer - 8.80mm/.347 in. | |
| 4 | 2203-M-9477 | 2 | Spacer - 8.83mm/.348 in. | |
| 5 | 2203-N-9478 | 2 | Spacer - 8.85mm/.349 in. | |
| 6 | 2203-P-9480 | 2 | Spacer - 8.98mm/.354 in. | |
| 7 | 2203-Q-9481 | 2 | Spacer - 9.10mm/.354 in. | |
| 8 | 2203-R-9482 | 2 | Spacer - 9.13mm/.359 in. | |
| 9 | 2203-S-9483 | 2 | Spacer - 9.15mm/.360 in. | |
| 10 | 2203-T-9484 | 2 | Spacer - 9.18mm/.361 in. | |
| 11 | 2203-U-9485 | 2 | Spacer - 9.20mm/.362 in. | |

KIT 2364

| ITEM | PART NUMBER | QTY. | DESCRIPTION | REMARKS |
|------|-------------|------|------------------------|---|
| 1 | 3296-F-188 | 1 | Shift Fork, Finished | Major repair kit for original design main differential lock carriers. RS-21-145 |
| 2 | 3107-R-1006 | 1 | Shift Collar, Finished | |
| 3 | 43-X-1007 | 2 | Shift Fork Pin | |
| 4 | 2244-Z-52 | 1 | Shift Shaft | |
| 5 | 43-X-1006 | 1 | Shift Shaft Pin | |
| 6 | 2258-L-714 | 1 | Spring | |
| 7 | 3196-F-32 | 1 | Air Cylinder tube | |
| 8 | 2230-N-170 | 1 | Piston | |
| 9 | 5-X-1153 | 1 | O-Ring | |
| 10 | 3266-F-1020 | 1 | Cover | |
| 11 | 2208-H-944 | 1 | Gasket | |
| 12 | MWA-506 | 4 | Washer | |
| 13 | 41-X-1364 | 1 | Capscrew | |
| 14 | 2208-L-1000 | 1 | Gasket | |
| 15 | MS-210016-1 | 1 | Capscrew | |
| 16 | 41-X-1333 | 1 | Capscrew | |
| 17 | 3237-W-1167 | 1 | Switch Assembly Sensor | |
| 18 | 1227-P-1056 | 1 | Sensor Adjusting Nut | |
| 19 | 2257-M-1235 | 1 | Sensor/Switch Clip | |

KIT 2389

| ITEM | PART NUMBER | QTY. | DESCRIPTION | REMARKS |
|------|-------------|------|----------------------------------|--|
| 1 | 2233-J-1024 | 4 | Differential Pinion Gear | With diff. spider (2.00"-39 spline side gear). RD-17-145, RP-17-145, RR-17-145, RS-16-140, RS-16-141, RS-17-140, RS-17-141, RS-19-145 |
| 2 | 2234-V-1270 | 2 | Differential Side Gear, Finished | |
| 3 | 3278-S-305 | 1 | Differential Spider | |
| 4 | 1229-V-4624 | 2 | Thrust Washer | |
| 5 | 1229-R-1032 | 4 | Thrust Washer | |

KIT 2396

| ITEM | PART NUMBER | QTY. | DESCRIPTION | REMARKS |
|------|-------------|------|--------------------------|--|
| 1 | 2203-D-9806 | 2 | Spacer - 5.30mm/.209 in. | Pinion bearing spacers MD-20-143, MP-20-143, RD-17-145, RD-20-140, RD-20-145, RD-22-145, RP-17-145, RP-20-145, RP-22-145, RR-17-145, RS-19-145 |
| 2 | 2203-E-9807 | 2 | Spacer - 5.33mm/.210 in. | |
| 3 | 2203-F-9808 | 2 | Spacer - 5.35mm/.211 in. | |
| 4 | 2203-G-9809 | 2 | Spacer - 5.38mm/.212 in. | |
| 5 | 2203-H-9810 | 2 | Spacer - 5.40mm/.213 in. | |
| 6 | 2203-J-9812 | 2 | Spacer - 5.50mm/.217 in. | |
| 7 | 2203-K-9813 | 2 | Spacer - 5.60mm/.220 in. | |
| 8 | 2203-L-9814 | 2 | Spacer - 5.70mm/.224 in. | |
| 9 | 2203-M-9815 | 2 | Spacer - 5.80mm/.228 in. | |
| 10 | 2203-N-9816 | 2 | Spacer - 5.90mm/.232 in. | |
| 11 | 2203-P-9818 | 2 | Spacer - 6.00mm/.236 in. | |
| 12 | 2203-Q-9819 | 2 | Spacer - 6.10mm/.240 in. | |
| 13 | 2203-R-9820 | 2 | Spacer - 6.13mm/.241 in. | |
| 14 | 2203-S-9821 | 2 | Spacer - 6.15mm/.242 in. | |
| 15 | 2203-T-9822 | 2 | Spacer - 6.18mm/.243 in. | |
| 16 | 2203-U-9823 | 2 | Spacer - 6.20mm/.244 in. | |

KIT 2405

| ITEM | PART NUMBER | QTY. | DESCRIPTION | REMARKS |
|------|-------------|------|-------------------|---|
| 1 | 3196-F-32 | 1 | Air Cylinder tube | Minor repair kit for original design main differential lock carriers. RD-20-145, RP-20-145, RP-22-145, RR-20-145, RR-22-145, RS-21-145 |
| 2 | 2230-N-170 | 1 | Piston | |
| 3 | 5-X-1153 | 1 | O-Ring | |
| 4 | 2208-H-944 | 1 | Gasket | |
| 5 | 41-X-1364 | 4 | Capscrew | |
| 6 | MWA-506 | 4 | Washer | |

KIT 2413

| ITEM | PART NUMBER | QTY. | DESCRIPTION | REMARKS |
|------|-------------|------|------------------------|--|
| 1 | 3296-W-1167 | 1 | Shift Fork, Finished | RD-20-145, RD-22-145, RP-20-145, RP-22-145 |
| 2 | 3107-D-1018 | 1 | Clutch Collar | |
| 3 | 2244-L-1026 | 1 | Shift Shaft | |
| 4 | 43-X-1006 | 1 | Shift Shaft Pin | |
| 5 | 2258-L-714 | 1 | Spring | |
| 6 | 3196-F-32 | 1 | Air Cylinder tube | |
| 7 | 2230-N-170 | 1 | Piston | |
| 8 | 5-X-1153 | 1 | O-Ring | |
| 9 | 2208-H-944 | 1 | Gasket | |
| 10 | 3266-F-1020 | 1 | Cover | |
| 11 | MWA-506 | 4 | Washer | |
| 12 | 41-X-1364 | 4 | Capscrew | |
| 13 | 2208-L-1000 | 1 | Gasket | |
| 14 | MS-210016-1 | 1 | Capscrew | |
| 15 | 41-X-1333 | 1 | Capscrew | |
| 16 | 3237-W-1167 | 1 | Switch Assembly Sensor | |
| 17 | 1227-P-1056 | 1 | Sensor Adjusting Nut | |
| 18 | 2257-M-1235 | 1 | Sensor/Switch Clip | |

KIT 2429

| ITEM | PART NUMBER | QTY. | DESCRIPTION | REMARKS |
|------|-------------|------|------------------------|---|
| 1 | 2203-K-9241 | 1 | Shim - .076mm/.003 in. | MD-20-143, MP-20-143, RD-17-145, RD-20-140, RD-20-145, RD-22-145, RP-17-145, RP-20-145, RP-22-145 |
| 2 | 2203-L-9242 | 1 | Shim - .127mm/.005 in. | |
| 3 | 2203-M-9243 | 4 | Shim - .254mm/.010 in. | |
| 4 | 2203-F-2788 | 1 | Shim - .076mm/.003 in. | |
| 5 | 2203-G-2789 | 1 | Shim - .127mm/.005 in. | |
| 6 | 2203-H-2790 | 4 | Shim - .254mm/.010 in. | |

KIT 2431

| ITEM | PART NUMBER | QTY. | DESCRIPTION | REMARKS |
|------|-------------|------|----------------------------------|--|
| 1 | 2233-J-1024 | 4 | Differential Pinion Gear | Less diff. spider (2.00"-39 spline side gear). RD-17-145, RP-17-145, RR-17-145, RS-16-140, RS-16-141, RS-17-140, RS-17-141, RS-19-145 |
| 2 | 2234-V-1270 | 2 | Differential Side Gear, Finished | |
| 3 | 1229-V-4624 | 2 | Thrust Washer | |
| 4 | 1229-R-1032 | 4 | Thrust Washer | |

KIT 2445

| ITEM | PART NUMBER | QTY. | DESCRIPTION | REMARKS |
|------|-------------|------|--------------------------------|--|
| 1 | 3261-R-1084 | 1 | Shift Unit Cylinder, Finished | For "reverse-air" Navistar only. 140 Series |
| 2 | 3266-Q-1161 | 1 | Cover, Finished | |
| 3 | 2230-D-1096 | 1 | Piston | |
| 4 | 2244-D-1070 | 1 | Differential Lock Out Push Rod | |
| 5 | 2258-E-1175 | 1 | Spring | |
| 6 | 5-X-1195 | 1 | O-Ring | |
| 7 | 5-X-1196 | 1 | O-Ring | |
| 8 | 5-X-1197 | 1 | O-Ring | |
| 9 | 1229-P-4280 | 1 | Snap Ring | |
| 10 | 1229-W-1245 | 1 | Snap Ring | |
| 11 | MS206060-1 | 4 | Capscrew | |
| 12 | 41-X-1080 | 2 | Capscrew | |
| 13 | MWA-506 | 6 | Washer | |

KIT 2446

| ITEM | PART NUMBER | QTY. | DESCRIPTION | REMARKS |
|------|-------------|------|-------------|--|
| 1 | 2258-E-1175 | 1 | Spring | For "reverse-air" Navistar only. 140 Series |
| 2 | 2230-D-1096 | 1 | Piston | |
| 3 | 5-X-1195 | 1 | O-Ring | |
| 4 | 5-X-1196 | 1 | O-Ring | |
| 5 | 5-X-1197 | 1 | O-Ring | |
| 6 | 1229-P-4280 | 1 | Snap Ring | |
| 7 | 1229-W-1245 | 1 | Snap Ring | |

KIT 2482

| ITEM | PART NUMBER | QTY. | DESCRIPTION | REMARKS |
|------|-------------|------|--|--|
| 1 | 3892-R-4932 | 1 | Integral Spur and Bevel Gear, Finished | MD-20-143, MP-20-143, RD-17-145, RD-20-140, RD-20-145, RD-22-145, RP-17-145, RP-22-145 |
| 2 | 3892-N-4902 | 1 | Helical Driven Gear | |

KIT 2488

| ITEM | PART NUMBER | QTY. | DESCRIPTION | REMARKS |
|------|---------------|------|---|--|
| 1 | A-3235-W-2025 | 1 | Interaxle Differential Case & Nest Assembly | Old style IAD (1.77"-34 spline side gear). Services all forward carriers built before 10/98. After 10/98 use KIT 2522. RD-17-145, RD-20-140, RD-20-145, RD-22-145, RP-17-145, RP-20-145, RP-22-145 |
| 2 | 2234-R-1188 | 1 | Differential Side Gear, Finished | |
| 3 | 3892-R-4932 | 1 | Integral Spur and Bevel Gear, Finished | |
| 4 | 1229-D-4788 | 1 | Thrust Washer | |
| 5 | 2297-E-5335 | 1 | Snap Ring | |

KIT 2511

| ITEM | PART NUMBER | QTY. | DESCRIPTION | REMARKS |
|------|-------------|------|----------------|--|
| 1 | 3216-S-4361 | 2 | Tube Finished | ABS carrier 2.10"-41 spline RD-20-145, RP-20-145, RR-20-145 |
| 2 | 42-X-1248 | 2 | Special Washer | |
| 3 | 1229-H-4428 | 2 | Snap Ring | |

KIT 2512

| ITEM | PART NUMBER | QTY. | DESCRIPTION | REMARKS |
|------|-------------|------|----------------|--|
| 1 | 3216-Q-4359 | 2 | Tube Finished | ABS carrier 2"-39 spline RD-17-145, RR-17-145 |
| 2 | 42-X-1248 | 2 | Special Washer | |
| 3 | 1229-H-4428 | 2 | Snap Ring | |

KIT 2522

| ITEM | PART NUMBER | QTY. | DESCRIPTION | REMARKS |
|------|---------------|------|---|---|
| 1 | A-3235-N-2380 | 1 | Interaxle Differential Case & Nest Assembly | New style IAD. Use for carriers built after 10/98. MD-20-143, MP-20-143, RD-17-145, RD-20-140, RD-20-145, RD-22-145, RP-17-145, RP-20-145, RP-22-145 |
| 2 | 2234-R-1188 | 1 | Differential Side Gear, Finished | |
| 3 | 3892-R-4932 | 1 | Integral Spur and Bevel Gear, Finished | |
| 4 | 1229-D-4788 | 1 | Thrust Washer | |
| 5 | 2297-E-5335 | 1 | Snap Ring | |

KIT 2541

| ITEM | PART NUMBER | QTY. | DESCRIPTION | REMARKS |
|------|-------------|------|---------------------------|-------------------------------------|
| 1 | 1244-M-2431 | 1 | Spacer - 9.40mm/.370 in. | For Amboid drive axle. MR-20-143 |
| 2 | 1244-N-2432 | 1 | Spacer - 9.43mm/.371 in. | |
| 3 | 1244-P-2434 | 1 | Spacer - 9.45mm/.372 in. | |
| 4 | 1244-Q-2435 | 1 | Spacer - 9.48mm/.373 in. | |
| 5 | 1244-R-2436 | 1 | Spacer - 9.50mm/.374 in. | |
| 6 | 1244-S-2437 | 1 | Spacer - 9.60mm/.378 in. | |
| 7 | 1244-T-2438 | 1 | Spacer - 9.70mm/.382 in. | |
| 8 | 1244-U-2439 | 1 | Spacer - 9.80mm/.386 in. | |
| 9 | 1244-V-2440 | 1 | Spacer - 9.90mm/.390 in. | |
| 10 | 1244-W-2441 | 1 | Spacer - 10.00mm/.394 in. | |
| 11 | 1244-X-2442 | 1 | Spacer - 10.10mm/.398 in. | |
| 12 | 1244-Y-2443 | 1 | Spacer - 10.20mm/.402 in. | |
| 13 | 1244-Z-2444 | 1 | Spacer - 10.23mm/.403 in. | |
| 14 | 1244-A-2445 | 1 | Spacer - 10.25mm/.404 in. | |
| 15 | 1244-B-2446 | 1 | Spacer - 10.28mm/.405 in. | |
| 16 | 1244-C-2447 | 1 | Spacer - 10.30mm/.406 in. | |

KIT 2619

| ITEM | PART NUMBER | QTY. | DESCRIPTION | REMARKS |
|------|----------------|------|---------------------------------------|---------------------------------------|
| 1 | A2-3200-U-1815 | 1 | Differential Carrier and Cap Assembly | Carrier & cap update kit RD-20-145 |
| 2 | A2-3261-Q-1057 | 1 | IAD Shift Cylinder Assembly | |

KIT 2623

| ITEM | PART NUMBER | QTY. | DESCRIPTION | REMARKS |
|------|---------------|------|----------------------|---|
| 1 | A-3297-Q-1161 | 1 | Input Shaft Assembly | Pump update kit MP-20-143, RP-17-145, RP-20-145, RP-22-145 |
| 2 | 1229-T-1736 | 1 | Washer | |
| 3 | 40-X-1237 | 1 | Input Nut | |
| 4 | A-3303-P-1030 | 1 | Oil Pump Assembly | |

KIT 2636

| ITEM | PART NUMBER | QTY. | DESCRIPTION | REMARKS |
|------|-------------|------|-------------|---|
| 1 | 40-X-1236 | 1 | Lock Nut | M32 x 1.5 nut thread. Rear input, front output. |
| 2 | 1229-A-2653 | 1 | Washer | |

KIT 2637

| ITEM | PART NUMBER | QTY. | DESCRIPTION | REMARKS |
|------|-------------|------|-------------|--|
| 1 | 40-X-1237 | 1 | Input Nut | M39 x 1.5 nut thread. Front input, rear input. |
| 2 | 1229-T-1736 | 1 | Washer | |

KIT 2638

| ITEM | PART NUMBER | QTY. | DESCRIPTION | REMARKS |
|------|-------------|------|-------------|------------------------------------|
| 1 | 40-X-1233 | 1 | Lock Nut | M45 x 1.5 nut thread. Front input. |
| 2 | 1229-W-4521 | 1 | Washer | |

KIT 2647

| ITEM | PART NUMBER | QTY. | DESCRIPTION | REMARKS |
|------|--------------|------|--|--|
| 1 | 3235-T-2152 | 1 | Half Flange Differential Case, Finished | Diff. case and spider update kit. For 44,00 lb. tandems without differential lock. 4.30 ratio and slower. RD-22-145, RP-22-145, RR-22-145 |
| 2 | 3235-U-2153 | 1 | Plain Half Differential Spider, Finished | |
| 3 | 41-X-1327 | 16 | Special Screw | |
| 4 | 1229-C-1511 | 16 | Flat Washer | |
| 5 | 3278-Y-1117F | 1 | Differential Spider, Finished | |

KIT 2648

| ITEM | PART NUMBER | QTY. | DESCRIPTION | REMARKS |
|------|--------------|------|---|--|
| 1 | 3235-T-2152 | 1 | Half Flange Differential Case, Finished | Diff. case and spider update kit. For 44,000 lb. tandems with differential lock. 4.30 ratio and slower. RD-22-145, RP-22-145, RR-22-145 |
| 2 | 3235-V-2154 | 1 | Plain Half Differential Case, Finished | |
| 3 | 41-X-1327 | 16 | Special Screw | |
| 4 | 1229-C-1511 | 16 | Flat Washer | |
| 5 | 3278-Y-1117F | 1 | Differential Spider, Finished | |

KIT 2662

| ITEM | PART NUMBER | QTY. | DESCRIPTION | REMARKS |
|------|-------------|------|------------------------|---|
| 1 | 3296-Z-1170 | 1 | Shift Fork, Finished | Screw in air shift cage kit for post 11/93 DCDL 145 series carriers RD-22-145, RP-20-145, RP-22-145, RR-20-145, RR-22-145, RS-21-145 |
| 2 | 3107-D-1018 | 1 | Clutch Collar | |
| 3 | 2244-V-1114 | 1 | Push Rod | |
| 4 | 2258-N-1262 | 1 | Spring | |
| 5 | 2230-T-1190 | 1 | Piston | |
| 6 | 5-X-1198 | 1 | O-Ring | |
| 7 | 3261-A-1067 | 1 | Shift Cylinder Housing | |
| 8 | 5-X-521 | 1 | O-Ring | |
| 9 | 41-X-1368 | 1 | Caging Bolt | |
| 10 | 3237-W-1167 | 1 | Switch Assembly Sensor | |
| 11 | 2257-M-1235 | 1 | Sensor/Switch Clip | |

KIT 2664

| ITEM | PART NUMBER | QTY. | DESCRIPTION | REMARKS |
|------|--------------|------|---|---|
| 1 | 3235-D-2188 | 1 | Half Flange Differential Case, Finished | Diff. case and spider update kit. For 44,000 lb. tandems with differential lock. Ratios 3.42 thru 4.11. RD-22-145, RP-22-145, RR-22-145 |
| 2 | 3235-V-2154 | 1 | Plain Half Differential Case, Finished | |
| 3 | 41-X-1327 | 16 | Special Screw | |
| 4 | 1229-C-1511 | 16 | Flat Washer | |
| 5 | 3278-Y-1117F | 1 | Differential Spider, Finished | |

KIT 2665

| ITEM | PART NUMBER | QTY. | DESCRIPTION | REMARKS |
|------|--------------|------|--|---|
| 1 | 3235-D-2188 | 1 | Half Flange Differential Case, Finished | Diff. case and spider update kit. For 44,000 lb. tandems with differential lock. Ratios 3.42 thru 4.11. RD-22-145, RP-22-145, RR-22-145 |
| 2 | 3235-U-2153 | 1 | Plain Half Differential Spider, Finished | |
| 3 | 41-X-1327 | 16 | Special Screw | |
| 4 | 1229-C-1511 | 16 | Flat Washer | |
| 5 | 3278-Y-1117F | 1 | Differential Spider, Finished | |

KIT 2686

| ITEM | PART NUMBER | QTY. | DESCRIPTION | REMARKS |
|------|-------------|------|--------------------------------|--|
| 1 | 2244-D-1070 | 1 | Differential Lock Out Push Rod | Navistar "reverse air" shift RD-20-145, RD-22-145, RP-20-145, RP-22-145 |
| 2 | 3266-Q-1161 | 1 | Cover, Finished | |

KIT 2691

| ITEM | PART NUMBER | QTY. | DESCRIPTION | REMARKS |
|------|-------------|------|------------------------|---|
| 1 | 3261-A-1067 | 1 | Shift Cylinder Housing | Main diff. lock, screw-in shift. Services all new style screw in type main differential lock carriers MD-20-143, MP-20-143, RD-20-145, RD-22-145, RP-20-145, RP-22-145 |
| 2 | 2230-T-1190 | 1 | Piston | |
| 3 | 5-X-1198 | 1 | O-Ring | |
| 4 | 5-X-521 | 1 | O-Ring | |
| 5 | 41-X-1368 | 1 | Caging Bolt | |

KIT 2696

| ITEM | PART NUMBER | QTY. | DESCRIPTION | REMARKS |
|------|--------------|------|----------------------------------|--|
| 1 | 2233-X-1116 | 4 | Differential Pinion, Finished | With diff. spider (2.10"-41 spline side gear) RD-22-145, RP-22-145, RR-22-145 |
| 2 | 2234-X-1272 | 2 | Differential Side Gear, Finished | |
| 3 | 3278-Y-1117F | 1 | Differential Spider, Finished | |
| 4 | 1229-V-4624 | 2 | Thrust Washer | |
| 5 | 1229-R-1032 | 4 | Thrust Washer | |

KIT 2703

| ITEM | PART NUMBER | QTY. | DESCRIPTION | REMARKS |
|------|-------------|------|----------------------------------|--|
| 1 | 2233-X-1116 | 4 | Differential Pinion, Finished | Less diff. spider (2.10"-41 spline side gear) RD-22-145, RP-22-145, RR-22-145 |
| 2 | 2234-X-1272 | 2 | Differential Side Gear, Finished | |
| 3 | 1229-V-4624 | 2 | Thrust Washer | |
| 4 | 1229-R-1032 | 4 | Thrust Washer | |

KIT 2704

| ITEM | PART NUMBER | QTY. | DESCRIPTION | REMARKS |
|------|----------------|------|-----------------------------|---|
| 1 | KIT 2752 | 1 | Update Kit | Carrier & cap update kit (with diff. lock, less pump) RD-20-145, RD-22-145 |
| 2 | A2-3261-Q-1057 | 1 | IAD Shift Cylinder Assembly | |

KIT 2705

| ITEM | PART NUMBER | QTY. | DESCRIPTION | REMARKS |
|------|----------------|------|-----------------------------|---|
| 1 | KIT 2754 | 1 | Update Kit | Carrier & cap update kit (with diff. lock, with pump) RD-20-145, RP-22-145 |
| 2 | A2-3261-Q-1057 | 1 | IAD Shift Cylinder Assembly | |

KIT 2706

| ITEM | PART NUMBER | QTY. | DESCRIPTION | REMARKS |
|------|----------------|------|-----------------------------|--|
| 1 | KIT 2751 | 1 | Update Kit | Carrier & cap update kit (less diff. lock, less pump) MD-20-143, RD-17-145, RD-20-140, RD-20-145, RD-22-145 |
| 2 | A2-3261-Q-1057 | 1 | IAD Shift Cylinder Assembly | |

KIT 2707

| ITEM | PART NUMBER | QTY. | DESCRIPTION | REMARKS |
|------|----------------|------|-----------------------------|---|
| 1 | KIT 2753 | 1 | Update Kit | Carrier & cap update kit (less diff. lock, with pump) RP-20-145, RP-22-145 |
| 2 | A2-3261-Q-1057 | 1 | IAD Shift Cylinder Assembly | |

KIT 2708P 1760HR

| ITEM | PART NUMBER | QTY. | DESCRIPTION | REMARKS |
|------|----------------|------|-----------------------|---|
| 1 | 176TYS38-27A | 1 | End Yoke Assembly | 2.38"-46 spline end yoke. Easy Service. Input shaft and yoke update kit for carriers with pump, with 1760 half round yoke. RD-20-145, RP-17-145, RP-22-145 |
| 2 | A1-3297-T-1346 | 1 | Input Shaft Assembly | |
| 3 | A-3226-D-1226 | 1 | Bearing Cage Assembly | |
| 4 | A-1205-R-2592 | 1 | Oil Seal Assembly | |
| 5 | JM511945 | 1 | Bearing Cone | |

KIT 2708P 1810FR

| ITEM | PART NUMBER | QTY. | DESCRIPTION | REMARKS |
|------|----------------|------|-----------------------|---|
| 1 | 18NYS38-16A | 1 | End Yoke Assembly | 2.38"-46 spline end yoke. Input shaft and yoke update kit for carriers with pump, with 1810 full round yoke. RD-20-145, RP-17-145, RP-22-145 |
| 2 | A1-3297-T-1346 | 1 | Input Shaft Assembly | |
| 3 | A-3226-D-1226 | 1 | Bearing Cage Assembly | |
| 4 | A-1205-R-2592 | 1 | Oil Seal Assembly | |
| 5 | JM511945 | 1 | Bearing Cone | |

KIT 2708P 1810HR

| ITEM | PART NUMBER | QTY. | DESCRIPTION | REMARKS |
|------|----------------|------|-----------------------|---|
| 1 | 18N-4-3731-1X | 1 | End Yoke Assembly | 2.38"-46 spline end yoke. Easy Service. Input shaft and yoke update kit for carriers with pump, with 1810 half round yoke. RD-20-145, RP-17-145, RP-22-145 |
| 2 | A1-3297-T-1346 | 1 | Input Shaft Assembly | |
| 3 | A-3226-D-1226 | 1 | Bearing Cage Assembly | |
| 4 | A-1205-R-2592 | 1 | Oil Seal Assembly | |
| 5 | JM511945 | 1 | Bearing Cone | |

KIT 2709

| ITEM | PART NUMBER | QTY. | DESCRIPTION | REMARKS |
|------|-------------|------|-------------|---|
| 1 | 5-X-1195 | 1 | O-Ring | Navistar "reverse air" shift RD-17-145, RD-20-140, RD-20-145, RD-22-145, RP-20-145, RP-22-145 |
| 2 | 5-X-1196 | 1 | O-Ring | |
| 3 | 5-X-1197 | 1 | O-Ring | |
| 4 | 1229-P-4280 | 1 | Snap Ring | |

KIT 2729

| ITEM | PART NUMBER | QTY. | DESCRIPTION | REMARKS |
|------|----------------|------|---------------------------------------|---|
| 1 | A2-3200-L-1676 | 1 | Differential Carrier and Cap Assembly | Carrier & cap update kit (with diff case assembly, 3.91 & 4.10 ratios) less diff. lock RR-20-145, RR-22-145, RS-21-145 |
| 2 | A8-3235-U-1841 | 1 | Differential Case Assembly | |
| 3 | JM716610 | 1 | Bearing Cup | |
| 4 | JM716649 | 1 | Bearing Cone | |
| 5 | 2214-C-1095 | 1 | Bearing Adjuster Ring, Finished | |

KIT 2730

| ITEM | PART NUMBER | QTY. | DESCRIPTION | REMARKS |
|------|----------------|------|---------------------------------------|--|
| 1 | A2-3200-L-1676 | 1 | Differential Carrier and Cap Assembly | Carrier & cap update kit (with diff case assembly, all ratios except 3.91 and 4.10) less diff. lock RR-20-145, RR-22-145, RS-21-145 |
| 2 | A8-3235-W-1843 | 1 | Differential Case Assembly | |
| 3 | JM716610 | 1 | Bearing Cup | |
| 4 | JM716649 | 1 | Bearing Cone | |
| 5 | 2214-C-1095 | 1 | Bearing Adjuster Ring, Finished | |

KIT 2743

| ITEM | PART NUMBER | QTY. | DESCRIPTION | REMARKS |
|------|---------------|------|---|---|
| 1 | A-3235-W-2025 | 1 | Interaxle Differential Case & Nest Assembly | Inter-axle diff., shift fork and clutch collar, old style RD-17-145, RD-20-140, RD-20-145, RD-22-145, RP-17-145, RP-20-145, RP-22-145 |
| 2 | 3107-M-1183 | 1 | Clutch Collar | |
| 3 | A-3296-A-1093 | 1 | Shift Fork, Finished | |

KIT 2747

| ITEM | PART NUMBER | QTY. | DESCRIPTION | REMARKS |
|------|----------------|------|---------------------------------------|--|
| 1 | A2-3200-E-1981 | 1 | Differential and Cap Assembly Carrier | Carrier & cap update kit (with diff. lock, less pump) RD-20-145 |
| 2 | KIT 2691 | 1 | Shift Cylinder Kit | |
| 3 | 2244-V-1114 | 1 | Push Rod | |
| 4 | 3296-Z-1170 | 1 | Shift Fork, Finished | |
| 5 | 2258-N-1262 | 1 | Spring | |
| 6 | 2206-L-1156 | 1 | Elbow Fitting | |

KIT 2751

| ITEM | PART NUMBER | QTY. | DESCRIPTION | REMARKS |
|------|----------------|------|---------------------------------------|--|
| 1 | A2-3200-D-1980 | 1 | Differential Carrier and Cap Assembly | Carrier & cap update kit (less diff. lock, less pump, with thrust screw) MD-20-143, RD-17-145, RD-20-140, RD-20-145, RD-22-145 |
| 2 | 41-X-1371 | 1 | Thrust Screw | |
| 3 | 40-X-1016 | 1 | Jam Nut | |

KIT 2752

| ITEM | PART NUMBER | QTY. | DESCRIPTION | REMARKS |
|------|----------------|------|---------------------------------------|---|
| 1 | A2-3200-F-1982 | 1 | Differential Carrier and Cap Assembly | Carrier & cap update kit (with diff. lock, less pump, with thrust screw) RD-22-145 |
| 2 | KIT 2691 | 1 | Shift Cylinder Kit | |
| 3 | 2244-V-1114 | 1 | Push Rod | |
| 4 | 3296-Z-1170 | 1 | Shift Fork, Finished | |
| 5 | 2258-N-1262 | 1 | Spring | |
| 6 | 2206-L-1156 | 1 | Elbow Fitting | |

KIT 2753

| ITEM | PART NUMBER | QTY. | DESCRIPTION | REMARKS |
|------|----------------|------|---------------------------------------|---|
| 1 | A2-3200-J-1986 | 1 | Differential Carrier and Cap Assembly | Carrier & cap update kit (less diff. lock, with pump, with thrust screw) RP-22-145 |
| 2 | 41-X-1371 | 1 | Thrust Screw | |
| 3 | 40-X-1016 | 1 | Jam Nut | |

KIT 2754

| ITEM | PART NUMBER | QTY. | DESCRIPTION | REMARKS |
|------|----------------|------|---------------------------------------|---|
| 1 | A2-3200-L-1988 | 1 | Differential Carrier and Cap Assembly | Carrier & cap update kit (with diff. lock, with pump, with thrust screw) MP-20-143, RP-20-145, RP-22-145 |
| 2 | KIT 2691 | 1 | Shift Cylinder Kit | |
| 3 | 2244-V-1114 | 1 | Push Rod | |
| 4 | 3296-Z-1170 | 1 | Shift Fork, Finished | |
| 5 | 2258-N-1262 | 1 | Spring | |
| 6 | 2206-L-1156 | 1 | Elbow Fitting | |

KIT 2755

| ITEM | PART NUMBER | QTY. | DESCRIPTION | REMARKS |
|------|----------------|------|---------------------------------------|--|
| 1 | A2-3200-F-1904 | 1 | Differential Carrier and Cap Assembly | Carrier & cap update kit (with diff. lock, with thrust screw) RR-20-145, RR-22-145, RS-21-145 |
| 2 | KIT 2691 | 1 | Shift Cylinder Kit | |
| 3 | 2244-V-1114 | 1 | Push Rod | |
| 4 | 3296-Z-1170 | 1 | Shift Fork, Finished | |
| 5 | 2258-N-1262 | 1 | Spring | |
| 6 | 2206-L-1156 | 1 | Elbow Fitting | |
| 7 | 41-X-1371 | 1 | Thrust Screw | |
| 8 | 40-X-1016 | 1 | Jam Nut | |

KIT 2756

| ITEM | PART NUMBER | QTY. | DESCRIPTION | REMARKS |
|------|----------------|------|---------------------------------------|--|
| 1 | A2-3200-A-1873 | 1 | Differential Carrier and Cap Assembly | Carrier & cap update kit (with thrust screw) RR-17-145, RR-20-140, RR-20-145, RR-22-145, RS-16-141, RS-17-141, RS-19-145, RS-21-145 |
| 2 | 41-X-1371 | 1 | Thrust Screw | |
| 3 | 40-X-1016 | 1 | Jam Nut | |

KIT 2758

| ITEM | PART NUMBER | QTY. | DESCRIPTION | REMARKS |
|------|-------------|------|----------------------------------|---|
| 1 | 2234-V-1270 | 1 | Differential Side Gear, Finished | Side gear & washer kit (2"-39 spline side gear) RD-17-145, RP-17-145, RR-17-145, RS-16-140, RS-16-141, RS-17-140, RS-17-141, RS-19-145 |
| 2 | 1229-V-4624 | 1 | Thrust Washer | |

KIT 2759

| ITEM | PART NUMBER | QTY. | DESCRIPTION | REMARKS |
|------|-------------|------|----------------------------------|---|
| 1 | 2234-U-1269 | 1 | Differential Side Gear, Finished | Side gear & washer kit (2.10"-41 spline side gear) RD-20-140, RD-20-145, RP-20-145, RR-20-140, RR-20-145, RS-21-145 |
| 2 | 1229-V-4624 | 1 | Thrust Washer | |

KIT 2760

| ITEM | PART NUMBER | QTY. | DESCRIPTION | REMARKS |
|------|-------------|------|----------------------------------|---|
| 1 | 2234-X-1272 | 1 | Differential Side Gear, Finished | Side gear & washer kit (2.10"-41 spline side gear) RD-22-145, RP-22-145, RR-22-145 |
| 2 | 1229-V-4624 | 1 | Thrust Washer | |

KIT 2761

| ITEM | PART NUMBER | QTY. | DESCRIPTION | REMARKS |
|------|-------------|------|-------------|---|
| 1 | 1229-G-1021 | 1 | Lock Washer | RD-17-145, RP-17-145, RR-17-145, RS-16-140, RS-16-141, RS-17-140, RS-17-141, RS-17-145, RS-19-145 |
| 2 | 1229-J-4638 | 1 | Lock Washer | |

KIT 4345

| ITEM | PART NUMBER | QTY. | DESCRIPTION | REMARKS |
|------|---------------|------|----------------|----------------------|
| 1 | JM716610 | 1 | Bearing Cup | RS-16-140, RS-17-140 |
| 2 | 1228-L-1130 | 1 | Bearing Cup | |
| 3 | 55200C | 1 | Bearing Cone | |
| 4 | M804049 | 1 | Bearing Cone | |
| 5 | 1228-F-552 | 1 | Spigot Bearing | |
| 6 | JM716649 | 1 | Bearing Cone | |
| 7 | A-1228-L-1130 | 1 | Bearing Cone | |
| 8 | 55437 | 1 | Bearing Cup | |
| 9 | M804010 | 1 | Bearing Cup | |
| 10 | A-1205-D-1928 | 1 | Oil Seal | |

KIT 4350

| ITEM | PART NUMBER | QTY. | DESCRIPTION | REMARKS |
|------|---------------|------|----------------|----------------------|
| 1 | M804010 | 1 | Bearing Cup | RS-16-140, RS-17-140 |
| 2 | M804049 | 1 | Bearing Cone | |
| 3 | 55437 | 1 | Bearing Cup | |
| 4 | 55200C | 1 | Bearing Cone | |
| 5 | 1228-F-552 | 1 | Spigot Bearing | |
| 6 | JM716610 | 2 | Bearing Cup | |
| 7 | JM716649 | 2 | Bearing Cone | |
| 8 | A-1205-D-1928 | 1 | Oil Seal | |

KIT 4356

| ITEM | PART NUMBER | QTY. | DESCRIPTION | REMARKS |
|------|---------------|------|-------------------|-----------------------------------|
| 1 | H715311 | 1 | Bearing Cup | New Style Thru-Shaft RD-20-140 |
| 2 | 72487 | 1 | Bearing Cup | |
| 3 | JLM710910 | 1 | Bearing Cup | |
| 4 | H715334 | 1 | Bearing Cone | |
| 5 | 72212C | 1 | Bearing Cone | |
| 6 | LM603011 | 2 | Bearing Cup | |
| 7 | JM716610 | 2 | Bearing Cup | |
| 8 | JLM710949C | 1 | Bearing Cone | |
| 9 | 3920 | 1 | Bearing Cup | |
| 10 | A-1205-R-2592 | 1 | Oil Seal Assembly | |
| 11 | A-1205-G-2425 | 1 | Seal Assembly | |
| 12 | 5-X-1034 | 2 | O-Ring | |
| 13 | JM511945 | 1 | Bearing Cone | |
| 14 | LM603049 | 2 | Bearing Cone | |
| 15 | JM716649 | 2 | Bearing Cone | |

KIT 4385

| ITEM | PART NUMBER | QTY. | DESCRIPTION | REMARKS |
|------|---------------|------|--------------------------|---------------------------------|
| 1 | 72212C | 1 | Bearing Cone | RR-20-145, RR-22-145, RS-21-145 |
| 2 | 55206C | 1 | Bearing Cone | |
| 3 | A1-1228-H-606 | 2 | Tapered Bearing Assembly | |
| 4 | 72487 | 1 | Bearing Cup | |
| 5 | 55437 | 1 | Bearing Cup | |
| 6 | 1228-F-552 | 1 | Spigot Bearing | |
| 7 | A-1205-N-2588 | 1 | Oil Seal Assembly | |

KIT 4390

| ITEM | PART NUMBER | QTY. | DESCRIPTION | REMARKS |
|------|---------------|------|-------------------|---------------------------------|
| 1 | JM716649 | 1 | Bearing Cone | RR-20-145, RR-22-145, RS-21-145 |
| 2 | A-1228-L-1130 | 1 | Bearing Cone | |
| 3 | JM716610 | 1 | Bearing Cup | |
| 4 | 1228-L-1130 | 1 | Bearing Cup | |
| 5 | 72487 | 1 | Bearing Cup | |
| 6 | 55437 | 1 | Bearing Cup | |
| 7 | 72212C | 1 | Bearing Cone | |
| 8 | 55206C | 1 | Bearing Cone | |
| 9 | 1228-F-552 | 1 | Spigot Bearing | |
| 10 | A-1205-N-2588 | 1 | Oil Seal Assembly | |

KIT 4395

| ITEM | PART NUMBER | QTY. | DESCRIPTION | REMARKS |
|------|---------------|------|-------------------|--|
| 1 | H715311 | 1 | Bearing Cup | Pre 11/93 RD-17-145, RD-20-145, RD-22-145, RP-17-145, RP-20-145, RP-22-145 |
| 2 | 72487 | 1 | Bearing Cup | |
| 3 | JLM710910 | 1 | Bearing Cup | |
| 4 | H715334 | 1 | Bearing Cone | |
| 5 | 72212C | 1 | Bearing Cone | |
| 6 | JLM104910 | 2 | Bearing Cup | |
| 7 | JM716610 | 2 | Bearing Cup | |
| 8 | JLM710949C | 1 | Bearing Cone | |
| 9 | JM511910 | 1 | Bearing Cup | |
| 10 | A-1205-P-2590 | 2 | Oil Seal Assembly | |
| 11 | 5-X-1034 | 2 | O-Ring | |
| 12 | JM511946 | 1 | Bearing Cone | |
| 13 | 3920 | 1 | Bearing Cup | |
| 14 | LM104949 | 2 | Bearing Cone | |
| 15 | JM716649 | 2 | Bearing Cone | |

KIT 4396

| ITEM | PART NUMBER | QTY. | DESCRIPTION | REMARKS |
|------|---------------|------|-------------------|--|
| 1 | H715311 | 1 | Bearing Cup | Forward axles less diff. lock, with new input and thru shaft MD-20-143, MP-20-143, RD-17-145, RD-20-145, RD-22-145, RP-17-145, RP-20-145, RP-22-145 |
| 2 | 72487 | 1 | Bearing Cup | |
| 3 | JLM710910 | 1 | Bearing Cup | |
| 4 | H715334 | 1 | Bearing Cone | |
| 5 | 72212C | 1 | Bearing Cone | |
| 6 | JLM104910 | 2 | Bearing Cup | |
| 7 | JM716610 | 2 | Bearing Cup | |
| 8 | JLM710949C | 1 | Bearing Cone | |
| 9 | 3920 | 1 | Bearing Cup | |
| 10 | A-1205-R-2592 | 1 | Oil Seal Assembly | |
| 11 | A-1205-P-2590 | 1 | Oil Seal Assembly | |
| 12 | 5-X-1034 | 2 | O-Ring | |
| 13 | JM511945 | 1 | Bearing Cone | |
| 14 | LM104949 | 2 | Bearing Cone | |
| 15 | JM716649 | 2 | Bearing Cone | |

KIT 4400

| ITEM | PART NUMBER | QTY. | DESCRIPTION | REMARKS |
|------|---------------|------|-------------------|--|
| 1 | 72487 | 1 | Bearing Cup | RR-17-145, RR-20-140, RR-20-145, RR-22-145, RS-16-141, RS-17-141, RS-19-145, RS-21-145 |
| 2 | 72212C | 1 | Bearing Cone | |
| 3 | 55437 | 1 | Bearing Cup | |
| 4 | 55206C | 1 | Bearing Cone | |
| 5 | 1228-F-552 | 1 | Spigot Bearing | |
| 6 | JM716610 | 2 | Bearing Cup | |
| 7 | JM716649 | 2 | Bearing Cone | |
| 8 | A-1205-N-2588 | 1 | Oil Seal Assembly | |

KIT 4406

| ITEM | PART NUMBER | QTY. | DESCRIPTION | REMARKS |
|------|---------------|------|-------------------|--|
| 1 | 72487 | 1 | Bearing Cup | Forward axles with diff. lock, with new input and thru shaft MD-20-143, MP-20-143, RD-20-145, RD-22-145, RP-20-145, RP-22-145 |
| 2 | 72212C | 1 | Bearing Cone | |
| 3 | H715311 | 1 | Bearing Cup | |
| 4 | H715334 | 1 | Bearing Cone | |
| 5 | 3920 | 1 | Bearing Cup | |
| 6 | JM511945 | 1 | Bearing Cone | |
| 7 | JLM710910 | 1 | Bearing Cup | |
| 8 | JLM710949C | 1 | Bearing Cone | |
| 9 | 1228-L-1130 | 1 | Bearing Cup | |
| 10 | A-1228-L-1130 | 1 | Bearing Cone | |
| 11 | JM716610 | 1 | Bearing Cup | |
| 12 | JM716649 | 1 | Bearing Cone | |
| 13 | JLM104910 | 2 | Bearing Cup | |
| 14 | LM104949 | 2 | Bearing Cone | |
| 15 | A-1205-R-2592 | 1 | Oil Seal Assembly | |
| 16 | A-1205-P-2590 | 1 | Oil Seal Assembly | |
| 17 | 5-X-1034 | 2 | O-Ring | |

KIT 4455

| ITEM | PART NUMBER | QTY. | DESCRIPTION | REMARKS |
|------|-------------|------|------------------------|-------------------------------|
| 1 | 3237-W-1167 | 1 | Switch Assembly Sensor | With diff. lock 140 Series |
| 2 | 2257-M-1235 | 1 | Sensor/Switch Clip | |

KIT 4461

| ITEM | PART NUMBER | QTY. | DESCRIPTION | REMARKS |
|------|---------------|------|-------------------|-------------------------------------|
| 1 | 72487 | 1 | Bearing Cup | For Amboid drive axle. MR-20-143 |
| 2 | 72225C | 1 | Bearing Cone | |
| 3 | H715311 | 1 | Bearing Cup | |
| 4 | H715334 | 1 | Bearing Cone | |
| 5 | JM716610 | 2 | Bearing Cup | |
| 6 | JM716649 | 2 | Bearing Cone | |
| 7 | A-1205-N-2588 | 1 | Oil Seal Assembly | |

MPS 3344 145

| ITEM | PART NUMBER | QTY. | DESCRIPTION | REMARKS |
|------|---------------|------|---|--|
| 1 | A-3297-U-1347 | 1 | Input Shaft Assembly | Input shaft/IAD update kit for 2.38"-46 spline, less pump version. 145 Series |
| 2 | 1229-D-4788 | 1 | Thrust Washer | |
| 3 | 3892-R-4932 | 1 | Integral Spur and Bevel Gear, Finished | |
| 4 | A-3235-W-2025 | 1 | Interaxle Differential Case & Nest Assembly | |
| 5 | 2297-E-5335 | 1 | Snap Ring | |
| 6 | 2234-R-1188 | 1 | Differential Side Gear, Finished | |
| 7 | A-1205-R-2592 | 1 | Oil Seal Assembly | |
| 8 | 2203-K-9241 | 1 | Shim - .076mm/.003 in. | |
| 9 | 2203-L-9242 | 1 | Shim - .127mm/.005 in. | |
| 10 | 2203-M-9243 | 1 | Shim - .254mm/.010 in. | |

MPS 3345 145

| ITEM | PART NUMBER | QTY. | DESCRIPTION | REMARKS |
|------|----------------|------|---|--|
| 1 | A1-3297-T-1346 | 1 | Input Shaft Assembly | Input shaft/IAD update kit for 2.38"-46 spline, for pump version |
| 2 | 1229-D-4788 | 1 | Thrust Washer | |
| 3 | 3892-R-4932 | 1 | Integral Spur and Bevel Gear, Finished | |
| 4 | A-3235-W-2025 | 1 | Interaxle Differential Case & Nest Assembly | |
| 5 | 2297-E-5335 | 1 | Snap Ring | |
| 6 | 2234-R-1188 | 1 | Differential Side Gear, Finished | |
| 7 | A-1205-R-2592 | 1 | Oil Seal Assembly | |
| 8 | 2203-K-9241 | 1 | Shim - .076mm/.003 in. | |
| 9 | 2203-L-9242 | 1 | Shim - .127mm/.005 in. | |
| 10 | 2203-M-9243 | 1 | Shim - .254mm/.010 in. | |

KIT 2708 1760FR

| ITEM | PART NUMBER | QTY. | DESCRIPTION | REMARKS |
|------|---------------|------|-----------------------|---|
| 1 | 176NYS38-14A | 1 | End Yoke Assembly | 2.38"-46 spline end yok., Input shaft and yoke update kit for carriers less pump with 1760 full round yoke. RD-17-145, RD-20-140, RD-20-145, RD-22-145 |
| 2 | A-3297-U-1347 | 1 | Input Shaft Assembly | |
| 3 | A-3226-V-1296 | 1 | Bearing Cage Assembly | |
| 4 | A-1205-R-2592 | 1 | Oil Seal Assembly | |
| 5 | JM511945 | 1 | Bearing Cone | |

KIT 2708 1760HR

| ITEM | PART NUMBER | QTY. | DESCRIPTION | REMARKS |
|------|---------------|------|-----------------------|--|
| 1 | 176TYS38-27A | 1 | End Yoke Assembly | 2.38"-46 spline end yoke. Easy Service. Input shaft and yoke update kit for carriers less pump, with 1760 half round yoke. RD-17-145, RD-20-140, RD-20-145, RD-22-145 |
| 2 | A-3297-U-1347 | 1 | Input Shaft Assembly | |
| 3 | A-3226-V-1296 | 1 | Bearing Cage Assembly | |
| 4 | A-1205-R-2592 | 1 | Oil Seal Assembly | |
| 5 | JM511945 | 1 | Bearing Cone | |

KIT 2708 1810FR

| ITEM | PART NUMBER | QTY. | DESCRIPTION | REMARKS |
|------|---------------|------|-----------------------|---|
| 1 | 18NYS38-16A | 1 | End Yoke Assembly | 2.38"-46 spline end yoke. Input shaft and yoke update kit for carriers less pump with 1810 full round yoke. RD-17-145, RD-20-140, RD-20-145, RD-22-145 |
| 2 | A-3297-U-1347 | 1 | Input Shaft Assembly | |
| 3 | A-3226-V-1296 | 1 | Bearing Cage Assembly | |
| 4 | A-1205-R-2592 | 1 | Oil Seal Assembly | |
| 5 | JM511945 | 1 | Bearing Cone | |

KIT 2708 1810HR

| ITEM | PART NUMBER | QTY. | DESCRIPTION | REMARKS |
|------|---------------|------|-----------------------|---|
| 1 | 18N-4-3731-1X | 1 | End Yoke Assembly | 2.38"-46 spline end yoke. Easy Service. Input shaft and yoke update kit for carriers less pump with 1810 half round yoke. RD-17-145, RD-20-140, RD-20-145, RD-22-145 |
| 2 | A-3297-U-1347 | 1 | Input Shaft Assembly | |
| 3 | A-3226-V-1296 | 1 | Bearing Cage Assembly | |
| 4 | A-1205-R-2592 | 1 | Oil Seal Assembly | |
| 5 | JM511945 | 1 | Bearing Cone | |

Numercial Parts Listing

| PART NUMBER | PAGE | PART NUMBER | PAGE | PART NUMBER | PAGE |
|---------------|---------|--------------|-----------|-------------|------|
| 4-X-1837 | 20 | 1229-C-1511 | 4,7,11,17 | 1250-N-1080 | 9 |
| 5-X-521 | 8,18 | 1229-K-1597 | 6,19 | 1829-A-859 | 19 |
| 5-X-1034 | 4,9 | 1229-E-1669 | 4,9,20 | 2203-F-2788 | 6,11 |
| 5-X-1153 | 8,18 | 1229-T-1736 | 4,11,19 | 2203-G-2789 | 6,11 |
| 5-X-1195 | 5 | 1229-A-2237 | 19 | 2203-H-2790 | 6,11 |
| 5-X-1196 | 5 | 1229-B-2238 | 19 | 2203-C-8115 | 11 |
| 5-X-1197 | 5 | 1229-C-2239 | 19 | 2203-D-8116 | 11 |
| 5-X-1198 | 8,18 | 1229-D-2240 | 19 | 2203-E-8117 | 11 |
| 10-X-1594 | 20 | 1229-E-2241 | 19 | 2203-K-9241 | 4 |
| 10-X-1710 | 13 | 1229-F-2242 | 19 | 2203-L-9242 | 4 |
| 15-X-387 | 19 | 1229-G-2243 | 19 | 2203-M-9243 | 4 |
| 40-X-1016 | 6,13 | 1229-H-2244 | 19 | 2203-J-9474 | 11 |
| 40-X-1145 | 6 | 1229-J-2246 | 19 | 2203-K-9475 | 11 |
| 40-X-1182 | 8,14 | 1229-K-2247 | 19 | 2203-L-9476 | 11 |
| 40-X-1233 | 4,6 | 1229-P-2590 | 19 | 2203-M-9477 | 11 |
| 40-X-1236 | 11,19 | 1229-Q-2591 | 19 | 2203-N-9478 | 11 |
| 40-X-1237 | 4,11,19 | 1229-R-2592 | 19 | 2203-P-9480 | 11 |
| 41-X-1043 | 11 | 1229-S-2593 | 19 | 2203-Q-9481 | 11 |
| 41-X-1080 | 5,18 | 1229-T-2594 | 19 | 2203-R-9482 | 11 |
| 41-X-1208 | 4 | 1229-U-2595 | 19 | 2203-S-9483 | 11 |
| 41-X-1209 | 5 | 1229-V-2596 | 19 | 2203-T-9484 | 11 |
| 41-X-1216 | 7,14 | 1229-W-2597 | 19 | 2203-U-9485 | 11 |
| 41-X-1327 | 7,17 | 1229-X-2598 | 19 | 2203-V-9486 | 11 |
| 41-X-1330 | 18 | 1229-Y-2599 | 19 | 2203-W-9487 | 11 |
| 41-X-1333 | 8,18 | 1229-A-2653 | 11,19 | 2203-X-9488 | 11 |
| 41-X-1359 | 18 | 1229-Z-3172 | 17 | 2203-Y-9489 | 11 |
| 41-X-1364 | 8,18 | 1229-F-4062 | 9 | 2203-Z-9490 | 11 |
| 41-X-1365 | 8,13 | 1229-G-4063 | 6 | 2203-A-9491 | 12 |
| 41-X-1368 | 8,18 | 1229-W-4131 | 19 | 2203-B-9492 | 12 |
| 41-X-1371 | 6,13 | 1229-P-4280 | 4 | 2203-C-9493 | 12 |
| 42-X-1021 | 8,13 | 1229-B-4422 | 9,18 | 2203-D-9494 | 12 |
| 42-X-1248 | 9,18 | 1229-H-4428 | 9,18 | 2203-E-9495 | 12 |
| 43-X-1006 | 8,18 | 1229-U-4519 | 9,18 | 2203-F-9496 | 12 |
| 43-X-1007 | 8,18 | 1229-W-4521 | 4,6 | 2203-B-9804 | 11 |
| A-1199-P-1394 | 20 | 1229-X-4522 | 8,17 | 2203-D-9806 | 6 |
| 1199-R-2176 | 8,13 | 1229-V-4624 | 8,17 | 2203-E-9807 | 6 |
| A-1205-W-1349 | 20 | 1229-F-4634S | 20 | 2203-F-9808 | 6 |
| A-1205-D-1928 | 11 | 1229-A-4785 | 4 | 2203-G-9809 | 6 |
| A-1205-G-2425 | 19 | 1244-V-1764 | 6 | 2203-H-9810 | 6 |
| A-1205-Q-2487 | 20 | 1244-F-2346 | 12 | 2203-J-9812 | 6 |
| A-1205-N-2588 | 11 | 1244-M-2431 | 11 | 2203-K-9813 | 6 |
| A-1205-P-2590 | 4,19 | 1244-N-2432 | 11 | 2203-L-9814 | 6 |
| A-1205-R-2592 | 4 | 1244-P-2434 | 11 | 2203-M-9815 | 6 |
| 1220-K-89 | 18 | 1244-Q-2435 | 11 | 2203-N-9816 | 6 |
| 1227-R-330 | 20 | 1244-R-2436 | 11 | 2203-P-9818 | 6 |
| 1227-W-517 | 20 | 1244-S-2437 | 11 | 2203-Q-9819 | 6 |
| 1227-Z-1040 | 20 | 1244-T-2438 | 11 | 2203-R-9820 | 6 |
| 1227-E-1045 | 20 | 1244-U-2439 | 11 | 2203-S-9821 | 6 |
| 1227-P-1056 | 8,18 | 1244-V-2440 | 11 | 2203-T-9822 | 6 |
| 1228-F-552 | 13 | 1244-W-2441 | 11 | 2203-U-9823 | 6 |
| A1-1228-H-606 | 13 | 1244-X-2442 | 11 | 2208-P-536 | 20 |
| 1228-L-1130 | 6,13 | 1244-Y-2443 | 11 | 2208-H-944 | 8,18 |
| A-1228-L-1130 | 7,14 | 1244-Z-2444 | 11 | 2208-L-1000 | 8,18 |
| 1229-L-1026 | 17 | 1244-A-2445 | 11 | 2208-R-1058 | 4 |
| 1229-R-1032 | 8,17 | 1244-B-2446 | 11 | 2214-L-272 | 13 |
| 1229-W-1246 | 5 | 1244-C-2447 | 11 | 2214-Y-1039 | 6,13 |
| 1229-A-1301 | 13 | 1246-P-1134 | 8,13 | 2214-C-1095 | 6,13 |
| 1229-U-1503 | 8,14,20 | 1250-E-473 | 20 | 2230-N-170 | 8,18 |

Numerical Parts Listing

| PART NUMBER | PAGE |
|----------------|-------|
| 2230-D-1096 | 5 |
| 2230-T-1190 | 8,18 |
| 2233-J-1024 | 8,17 |
| 2233-M-1027 | 17 |
| 2233-X-1116 | 8,17 |
| 2234-T-1086 | 17 |
| 2234-R-1188 | 4 |
| 2234-U-1269 | 8,17 |
| 2234-V-1270 | 8,17 |
| 2234-X-1272 | 8,17 |
| 2244-Z-52 | 18 |
| 2244-K-1025 | 4 |
| 2244-L-1026 | 8,18 |
| 2244-D-1070 | 4 |
| 2244-V-1114 | 8,18 |
| 2257-M-1235 | 8,18 |
| 2258-U-411 | 4 |
| 2258-L-714 | 8,18 |
| 2258-Z-1118 | 9 |
| 2258-E-1175 | 4 |
| 2258-U-1243 | 9,18 |
| 2258-N-1262 | 8,18 |
| 2297-T-4180 | 13 |
| 2297-U-5273 | 9 |
| 2297-Z-5278 | 9 |
| A-2297-D-5334 | 9 |
| 2297-E-5335 | 4 |
| 2297-A-7021 | 19,20 |
| 2297-C-7049 | 17 |
| 2297-P-8336 | 13 |
| 2803-Q-2851 | 11 |
| 2803-R-2852 | 11 |
| 2803-S-2853 | 11 |
| 2803-T-2854 | 11 |
| 3107-R-1006 | 18 |
| 3107-D-1018 | 8,18 |
| 3107-M-1183 | 4 |
| 3196-F-32 | 8,18 |
| A2-3200-R-1500 | 13 |
| A2-3200-G-1645 | 5 |
| A2-3200-X-1662 | 5 |
| A2-3200-L-1676 | 13 |
| A2-3200-C-1849 | 13 |
| A2-3200-D-1850 | 13 |
| A2-3200-E-1851 | 13 |
| A2-3200-F-1852 | 5 |
| A2-3200-G-1853 | 5 |
| A2-3200-M-1885 | 13 |
| A2-3200-D-1902 | 5 |
| A2-3200-E-1903 | 5 |
| A2-3200-P-1914 | 6 |
| A2-3200-S-1917 | 6 |
| A2-3200-Z-1924 | 13 |
| A2-3200-B-1978 | 5 |
| A2-3200-C-1979 | 5 |
| A2-3200-D-1980 | 5 |
| A2-3200-E-1981 | 5 |
| A2-3200-F-1982 | 5 |

| PART NUMBER | PAGE |
|----------------|----------|
| A2-3200-H-1984 | 5 |
| A2-3200-J-1986 | 5 |
| A2-3200-K-1987 | 5 |
| A2-3200-L-1988 | 5 |
| A2-3200-W-2051 | 13 |
| 3202-S-9041 | 21,22,23 |
| 3202-T-9042 | 21,22,23 |
| 3202-U-9043 | 21,22,23 |
| 3202-X-9046 | 21,23 |
| 3202-Y-9047 | 21,23 |
| 3202-B-9050 | 21,23 |
| 3202-C-9051 | 21,23 |
| 3202-Q-9117 | 21,22,23 |
| 3202-R-9118 | 21,22,23 |
| 3202-S-9119 | 21,22,23 |
| 3202-Y-9281 | 21,23 |
| 3202-Z-9282 | 21 |
| 3202-F-9340 | 21,22,23 |
| 3202-G-9341 | 21,22,23 |
| 3202-H-9342 | 21,22,23 |
| 3202-W-9461 | 21,22,23 |
| 3202-Y-9463 | 21,22,23 |
| 3202-S-9483 | 21,22,23 |
| 3202-T-9484 | 21,22,23 |
| 3202-U-9485 | 21,22,23 |
| 3202-X-9488 | 23 |
| 3202-C-9597 | 21,23 |
| 3202-E-9599 | 21,23 |
| 3202-G-9601 | 21,23 |
| 3202-J-9604 | 21,23 |
| 3202-N-9608 | 21,22,23 |
| 3202-Q-9611 | 21,22,23 |
| 3202-S-9613 | 22,23 |
| 3202-U-9615 | 21,22,23 |
| 3202-W-9617 | 21,22,23 |
| 3202-Y-9619 | 23 |
| 3202-H-9628 | 21,22,23 |
| 3202-K-9631 | 21,22,23 |
| 3202-R-9638 | 21,22,23 |
| 3202-Q-9845 | 21,23 |
| 3202-S-9847 | 21,23 |
| 3206-Q-1343 | 21,22,23 |
| 3206-S-1345 | 21,22,23 |
| 3206-T-1346 | 21,22,23 |
| 3206-U-1347 | 21,22,23 |
| 3206-W-1349 | 21,22,23 |
| 3206-Y-1351 | 21,22,23 |
| 3206-Z-1352 | 21,22,23 |
| 3206-A-1353 | 21,22,23 |
| 3206-C-1563 | 21,23 |
| 3206-X-1740 | 21,23 |
| 3206-F-1748 | 21,23 |
| 3206-G-1749 | 21,23 |
| 3206-C-1823 | 21,23 |
| 3206-D-1824 | 21,23 |
| 3206-M-1885 | 21,23 |
| 3206-P-1888 | 21,23 |
| 3216-Q-4359 | 9,18 |

| PART NUMBER | PAGE |
|-----------------|------|
| 3216-S-4361 | 9,18 |
| 3221-P-1004 | 4 |
| A-3226-M-1053 | 11 |
| A-3226-P-1056 | 11 |
| A-3226-T-1112 | 19 |
| A1-3226-T-1112 | 19 |
| A-3226-Z-1222 | 4 |
| A-3226-B-1224 | 4 |
| A-3226-D-1226 | 4 |
| A-3226-N-1236 | 11 |
| A-3226-V-1296 | 4 |
| A-3230-T-1034 | 8,18 |
| A-3230-U-1035 | 8 |
| A2-3230-U-1035 | 18 |
| A-3230-V-1036 | 18 |
| A4-3235-C-1719 | 16 |
| A6-3235-C-1719 | 14 |
| A12-3235-C-1719 | 15 |
| A13-3235-C-1719 | 14 |
| A6-3235-E-1721 | 16 |
| A8-3235-E-1721 | 14 |
| A14-3235-E-1721 | 16 |
| A15-3235-E-1721 | 14 |
| A2-3235-Y-1741 | 14 |
| A3-3235-Y-1741 | 16 |
| A-3235-S-1839 | 14 |
| A1-3235-S-1839 | 15 |
| A2-3235-S-1839 | 7,14 |
| A3-3235-S-1839 | 7,14 |
| A8-3235-S-1839 | 7,14 |
| A9-3235-S-1839 | 7,15 |
| A10-3235-S-1839 | 7,15 |
| A11-3235-S-1839 | 7,16 |
| A12-3235-S-1839 | 7,16 |
| A-3235-U-1841 | 14 |
| A1-3235-U-1841 | 15 |
| A2-3235-U-1841 | 7,14 |
| A3-3235-U-1841 | 7,15 |
| A8-3235-U-1841 | 7,14 |
| A9-3235-U-1841 | 7,15 |
| A10-3235-U-1841 | 7,15 |
| A11-3235-U-1841 | 7,16 |
| A12-3235-U-1841 | 7,16 |
| A-3235-W-1843 | 14 |
| A1-3235-W-1843 | 15 |
| A2-3235-W-1843 | 7,14 |
| A3-3235-W-1843 | 7,15 |
| A8-3235-W-1843 | 7,14 |
| A9-3235-W-1843 | 7,15 |
| A10-3235-W-1843 | 7,15 |
| A11-3235-W-1843 | 7,16 |
| A12-3235-W-1843 | 7,16 |
| A2-3235-V-1920 | 7,14 |
| A3-3235-V-1920 | 7,14 |
| A8-3235-V-1920 | 7,14 |
| A9-3235-V-1920 | 7,15 |
| A10-3235-V-1920 | 7,15 |
| A11-3235-V-1920 | 7,16 |

Numerical Parts Listing

| PART NUMBER | PAGE |
|-----------------|------|
| A12-3235-V-1920 | 7,16 |
| A18-3235-V-1920 | 15 |
| A-3235-N-1938 | 14 |
| A1-3235-N-1938 | 16 |
| A-3235-Q-1941 | 14 |
| A1-3235-Q-1941 | 16 |
| A-3235-W-2025 | 4 |
| A4-3235-T-2152 | 7,16 |
| A10-3235-T-2152 | 7,15 |
| A11-3235-T-2152 | 7,15 |
| A2-3235-J-2168 | 7,14 |
| A3-3235-J-2168 | 7,14 |
| A4-3235-J-2168 | 7,17 |
| A5-3235-J-2168 | 7,17 |
| A1-3235-K-2169 | 14 |
| A2-3235-K-2169 | 17 |
| A2-3235-L-2170 | 7,14 |
| A3-3235-L-2170 | 7,14 |
| A4-3235-L-2170 | 7,16 |
| A5-3235-L-2170 | 7,17 |
| A2-3235-M-2171 | 7,14 |
| A3-3235-M-2171 | 7,14 |
| A4-3235-M-2171 | 7,16 |
| A5-3235-M-2171 | 7,16 |
| A2-3235-N-2172 | 14 |
| A3-3235-N-2172 | 14 |
| A6-3235-N-2172 | 16 |
| A7-3235-N-2172 | 16 |
| A-3235-D-2188 | 14 |
| A2-3235-D-2188 | 14 |
| A4-3235-D-2188 | 7,16 |
| A5-3235-D-2188 | 7 |
| A6-3235-D-2188 | 7 |
| A10-3235-D-2188 | 15 |
| A11-3235-D-2188 | 15 |
| A2-3235-Y-2261 | 16 |
| A-3235-N-2380 | 4 |
| A1-3235-Y-2661 | 14 |
| A-3261-L-350 | 4 |
| 3261-F-1046 | 5 |
| A-3261-F-1046 | 4 |
| A2-3261-Q-1057 | 4 |
| 3261-A-1067 | 8,18 |
| 3266-M-897 | 18 |
| 3266-F-1020 | 8,18 |
| 3266-C-1095 | 6 |
| 3266-Q-1161 | 5 |
| 3278-D-82 | 17 |
| 3278-S-305 | 8,17 |
| 3278-Y-1117F | 8,17 |
| 3280-V-8394 | 9 |
| 3280-Z-8398 | 9 |
| A1-3280-U-8861 | 18 |
| SA1-3280-U-8861 | 9 |
| 3296-F-188 | 18 |
| A-3296-A-1093 | 4 |
| 3296-W-1167 | 8,18 |
| 3296-Z-1170 | 8,18 |

| PART NUMBER | PAGE |
|----------------|---------|
| 3297-E-1019 | 19 |
| 3297-N-1158 | 19 |
| A-3297-Q-1161 | 4 |
| A1-3297-Q-1161 | 4 |
| A-3297-T-1346 | 4 |
| A-3297-U-1347 | 4 |
| A-3303-P-1030 | 9 |
| 3892-N-4902 | 6 |
| 3892-R-4932 | 4 |
| 572 | 20 |
| 580 | 20 |
| 592A | 20 |
| 594A | 20 |
| 3920 | 4 |
| 39520 | 20 |
| 39590 | 20 |
| 47620 | 20 |
| 47686 | 20 |
| 55200C | 12 |
| 55206C | 11 |
| 55437 | 11,12 |
| 72212C | 6,12 |
| 72225C | 11 |
| 72487 | 6,11,12 |
| 141DYS28A | 26 |
| 148DYS28A | 26 |
| 148TYS32-4A | 26 |
| 155DYS28-1A | 26 |
| 155DYS32-6 | 26 |
| 155DYS32-6A | 26 |
| 155NYS28-5A | 26 |
| 155TYS32-2A | 26 |
| 155TYS32-6A | 26 |
| 16N-4-5621X | 24 |
| 16N-4-6251 | 24 |
| 16N-4-6261 | 24 |
| 16N-4-6271-1 | 26 |
| 16N-4-6281X | 24 |
| 16N-4-6291X | 24 |
| 16N-4-6431-1X | 26 |
| 16N-4-7341-1X | 26 |
| 16NYS38-8A | 24 |
| 16TYS28-13A | 26 |
| 16TYS32-32A | 26 |
| 16TYS32-76 | 26 |
| 16TYS32-76A | 26 |
| 16TYS32-86A | 26 |
| 170TYS32-1A | 26 |
| 170TYS32-2 | 26 |
| 170TYS32-2A | 26 |
| 170TYS38-4A | 26 |
| 176N-4-531 | 24 |
| 176N-4-541-1X | 26 |
| 176N-4-541X | 24 |
| 176NYS32-3A2 | 24 |
| 176NYS38-14A | 24 |
| 176TYS32-3A1 | 26 |
| 176TYS38-27A | 26 |

| PART NUMBER | PAGE |
|---------------|------|
| 17N-4-6321 | 24 |
| 17N-4-6331 | 24 |
| 17N-4-6391X | 24 |
| 17N-4-6411X | 24 |
| 17N-4-7181X | 24 |
| 17N-4-7631-1X | 26 |
| 17N-4-7641-1X | 26 |
| 17NYS28-43A | 24 |
| 17NYS32-100 | 24 |
| 17NYS32-100A | 24 |
| 17NYS32-99 | 24 |
| 17NYS32-99A | 24 |
| 17TYS28-57A | 26 |
| 17TYS32-95A1 | 26 |
| 17TYS32-99 | 26 |
| 17TYS32-99A | 26 |
| 17TYS38-76A | 26 |
| 18N-4-3381-1X | 26 |
| 18NYS32-12A3 | 24 |
| 18NYS38-27A | 24 |
| 18TYS32-12A1 | 26 |
| 20WYS32-2 | 27 |
| 20WYS32-2A | 27 |
| 20WYS38-4A | 27 |
| 250TYS38-2A | 26 |
| 25WYS38-13A | 27 |
| 2WC328-73A | 28 |
| 3WC328-93 | 28 |
| 3WC32-73A | 28 |
| 3WC32-73A1 | 28 |
| 58WBYS28-182A | 25 |
| 58WBYS28-186A | 25 |
| 58WBYS32-47A | 25 |
| 5WC328-54A | 28 |
| 5WC32-86 | 28 |
| 5WC32-86A | 28 |
| 5WC32-86A2 | 28 |
| 5WC32-89A | 28 |
| 5WC32-94A | 28 |
| 62NYS28-160A | 25 |
| 62NYS28-201A | 25 |
| 62NYS28-202A | 25 |
| 72NYS28-166A | 25 |
| 72NYS28-176 | 25 |
| 72NYS28-177 | 25 |
| 72NYS28-179 | 25 |
| 72NYS32-244 | 25 |
| 72NYS32-244A | 25 |
| 72NYS32-244A1 | 25 |
| 82NYS32-74A1 | 25 |
| 92NYS28-5 | 25 |
| 92NYS32-25 | 25 |
| 92NYS32-25A | 25 |
| 92NYS32-25A1 | 25 |
| 92NYS32-26 | 25 |
| 92NYS32-26A | 25 |
| 92NYS38-73A | 25 |
| A-41104-1 | 6 |

Numerical Parts Listing

| PART NUMBER | PAGE |
|-------------|------|
| A-41158-1 | 12 |
| A-41164-3 | 13 |
| A-41266-3 | 13 |
| A-41270-3 | 13 |
| A-41272-1 | 12 |
| A-41272-3 | 13 |
| A-41274-3 | 13 |
| A-41276-1 | 6 |
| A-41304-1 | 12 |
| A-41304-3 | 13 |
| A-41456-3 | 13 |
| A-41458-1 | 12 |
| A-41460-1 | 12 |
| A-41460-3 | 13 |
| A-41462-1 | 12 |
| A-41462-3 | 13 |
| A-41464-1 | 12 |
| A-41464-3 | 13 |
| A-41468-1 | 6 |
| A-41470-1 | 6 |
| A-41472-1 | 6 |
| A-41474-1 | 6 |
| A-41494-1 | 12 |
| A-41496-1 | 12 |
| A-41498-3 | 13 |
| A-41500-3 | 13 |
| A-41508-1 | 6 |
| A-41510-1 | 6 |
| A-41652-1 | 12 |
| A-41654-1 | 12 |
| A-41672-1 | 12 |
| A-41676-1 | 6 |
| A-41682-1 | 12 |
| A-41684-3 | 13 |
| A-41686-3 | 13 |
| A-41714-1 | 12 |
| A-41802-1 | 12 |
| A-41830-1 | 12 |
| A-41842-1 | 12 |
| A-42128-1 | 12 |
| A-42172-1 | 12 |
| A-42200-1 | 12 |
| A-42202-1 | 12 |
| A-42204-1 | 12 |
| B-41164-1 | 12 |
| B-41266-1 | 12 |
| B-41268-1 | 12 |
| B-41270-1 | 12 |
| B-41274-1 | 12 |
| B-41278-1 | 6 |
| B-41280-1 | 6 |
| B-41282-1 | 6 |
| B-41284-1 | 6 |
| B-41456-1 | 12 |
| B-41466-1 | 6 |
| B-41498-1 | 12 |
| B-41500-1 | 12 |
| B-41512-1 | 6 |

| PART NUMBER | PAGE |
|--------------|--------------------------|
| B-41514-1 | 6 |
| B-41530-1 | 12 |
| B-41532-1 | 12 |
| B-41534-1 | 12 |
| B-41536-1 | 12 |
| B-41538-1 | 12 |
| B-41540-1 | 12 |
| B-41542-1 | 12 |
| B-41542-3 | 13 |
| B-41544-1 | 12 |
| B-41546-1 | 12 |
| B-41548-1 | 12 |
| B-41550-1 | 12 |
| B-41552-1 | 12 |
| B-41554-1 | 12 |
| B-41556-1 | 12 |
| B-41558-1 | 12 |
| B-41560-1 | 12 |
| B-41562-1 | 6 |
| B-41678-1 | 6 |
| B-41680-1 | 6 |
| B-41684-1 | 12 |
| B-41686-1 | 12 |
| B-41716-1 | 12 |
| B-41718-1 | 6 |
| B-42120-1 | 12 |
| B-42180-1 | 12 |
| B-42206-1 | 12 |
| H715311 | 6,12 |
| H715334 | 6,12 |
| JLM-104910 | 19 |
| JLM-710910 | 4 |
| JLM-710949-C | 4 |
| JM-511945 | 4 |
| JM-511946 | 4 |
| JM-716610 | 6,13 |
| JM-716649 | 7,13 |
| KIT 530 | 30,36 |
| KIT 576 | 29,30,31,32, 33,36 |
| KIT 1568 | 36 |
| KIT 1647 | 30,36 |
| KIT 2308 | 29,37 |
| KIT 2309 | 29,37 |
| KIT 2310 | 30,31,32,37 |
| KIT 2311 | 30,31,32,37 |
| KIT 2313 | 29,30,32,34, 37 |
| KIT 2317 | 29,30,31,32, 33,34,37 |
| KIT 2321 | 29,37 |
| KIT 2322 | 29,30,32,34, 38 |
| KIT 2364 | 32,38 |
| KIT 2389 | 29,30,38 |
| KIT 2396 | 29,30,31,32, 33,38 |
| KIT 2405 | 32,34,39 |

| PART NUMBER | PAGE |
|------------------|-----------------------|
| KIT 2413 | 31,33,39 |
| KIT 2429 | 29,30,31,32, 33,39 |
| KIT 2431 | 29,30,39 |
| KIT 2445 | 39 |
| KIT 2446 | 40 |
| KIT 2473 | 4 |
| KIT 2482 | 29,30,31,32, 33,40 |
| KIT 2488 | 29,30,31,32, 33,40 |
| KIT 2511 | 40 |
| KIT 2512 | 40 |
| KIT 2522 | 29,30,31,32, 33,40 |
| KIT 2541 | 30,40 |
| KIT 2619 | 31,41 |
| KIT 2623 | 4,9,30,31, 33,41 |
| KIT 2636 | 41 |
| KIT 2637 | 41 |
| KIT 2638 | 41 |
| KIT 2647 | 7,14,32,33, 34,41 |
| KIT 2648 | 7,14,33,34, 41 |
| KIT 2662 | 41 |
| KIT 2664 | 7,14,33,34, 42 |
| KIT 2665 | 7,14,32,33, 34,42 |
| KIT 2686 | 42 |
| KIT 2691 | 31,33,42 |
| KIT 2696 | 8,17,32,33, 34,42 |
| KIT 2703 | 32,33,34,42 |
| KIT 2704 | 5,33,42 |
| KIT 2705 | 5,31,33,42 |
| KIT 2706 | 5,29,30,31, 32,42 |
| KIT 2707 | 5,43 |
| KIT 2708 1760FR | 48 |
| KIT 2708 1760HR | 48 |
| KIT 2708 1810FR | 48 |
| KIT 2708P 1760HR | 43 |
| KIT 2708P 1810FR | 43 |
| KIT 2708P 1810HR | 43 |
| KIT 2709 | 43 |
| KIT 2729 | 13,43 |
| KIT 2730 | 13,43 |
| KIT 2743 | 43 |
| KIT 2747 | 44 |
| KIT 2751 | 29,30,31,32, 44 |
| KIT 2752 | 33,44 |
| KIT 2753 | 30,31,33,44 |
| KIT 2754 | 31,33,44 |

Numerical Parts Listing

| PART NUMBER | PAGE |
|------------------|-----------------------|
| KIT 2755 | 13,32,34,44 |
| KIT 2756 | 13,29,30,32, 34,44 |
| KIT 2758 | 8,17,45 |
| KIT 2759 | 8,17,45 |
| KIT 2760 | 8,17,45 |
| KIT 2761 | 20,45 |
| KIT 4345 | 29,45 |
| KIT 4350 | 29 |
| KIT 4355 | 30 |
| KIT 4356 | 30 |
| KIT 4350 | 45 |
| KIT 4356 | 46 |
| KIT 4385 | 32,46 |
| KIT 4390 | 32,34,46 |
| KIT 4395 | 29,30,31,32, 33,46 |
| KIT 4396 | 29,30,31,32, 33,47 |
| KIT 4400 | 29,30,32,34, 47 |
| KIT 4405 | 31,33 |
| KIT 4406 | 31,33,47 |
| KIT 4455 | 8,18,47 |
| KIT 4461 | 30,47 |
| KIT RD20140NL | 30,35 |
| KIT RD20145DL | 31,35 |
| KIT RD20145NL | 31,35 |
| KIT RR22145 1873 | 35 |
| KIT RS145 1865 | 36 |
| KIT RS17140 | 29,36 |
| KIT RS145 1500 | 32,35 |
| KIT RS145 1547 | 32,35 |
| KIT RS145 1676 | 30,32,36 |
| LM-104949 | 19 |
| LM-603011 | 19 |
| LM-603049 | 19 |
| M804010 | 11 |
| M804049 | 11 |
| MN-312-1 | 4 |
| MPS 3344 145 | 48 |
| MPS 3345 145 | 48 |
| MS-206060-1 | 5 |
| MS-208016-1 | 4 |
| MS-208020-1 | 18 |
| MS-208045-1 | 9 |
| MS-210016-1 | 8,18 |
| MS-210020-1 | 6 |
| MS-210030-1 | 6 |
| MS-212045-1 | 4,11 |
| MS-220120-1 | 8,13 |
| MWA-506 | 5,8,18 |
| MWA-508 | 18 |
| N-110-1 | 20 |
| P-28-S | 20 |
| P-212 | 20 |
| RV-71016 | 8,14 |
| S-258-2 | 20 |

| PART NUMBER | PAGE |
|-------------|------|
| S-21016-2 | 20 |
| S-21020-2 | 20 |
| S-21022-2 | 20 |

| PART NUMBER | PAGE |
|-------------|------|
|-------------|------|

ARVINMERITOR AFTERMARKET PARTS WARRANTY

We warrant all new parts for one year from date of shipment to the buyer against defective material or workmanship (but not against damage caused by accident, abuse or improper installation, maintenance or repair) when such parts are used on vehicles the specifications of which have been approved by our Engineering Department.

As the exclusive remedy under this warranty, we will, at our option, repair or replace such parts free of charge, or take back the nonconforming parts and refund the monies paid by buyer for such parts, if found on examination by us to be nonconforming and if any necessary return charges are prepaid.

If it is necessary to return any parts under this warranty, buyer agrees not to make any deduction on account thereof from remittances on current accounts while claims are in the process of disposition. Any expense incurred without our consent for repairs or replacement will not be allowed.

THIS WARRANTY IS EXPRESSLY IN LIEU OF ALL OTHER WARRANTIES OR CONDITIONS, EXPRESS, IMPLIED OR STATUTORY, INCLUDING ANY IMPLIED WARRANTY OF MERCHANTABILITY OR FITNESS FOR PARTICULAR PURPOSE. IN NO EVENT SHALL SELLER BE LIABLE FOR INCIDENTAL OR CONSEQUENTIAL DAMAGES OF ANY NATURE.

Only genuine ArvinMeritor replacement parts are covered by this aftermarket parts warranty.

Information contained in this publication was in effect at the time the publication was approved for printing and is subject to change without notice or liability. ArvinMeritor reserves the right to revise the information presented or discontinue the production of parts at any time.

ArvinMeritor™

Commercial Vehicle Aftermarket

Meritor Heavy Vehicle Systems, LLC

7975 Dixie Highway
Florence, KY 41042 USA
888-725-9355
www.arvinmeritor.com

© Copyright 2003
ArvinMeritor, Inc.

Printed in U.S.A.

Revised 1/2003
PB-9147